

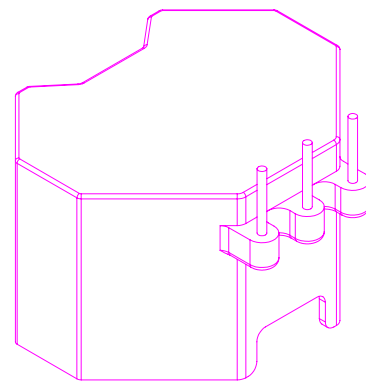
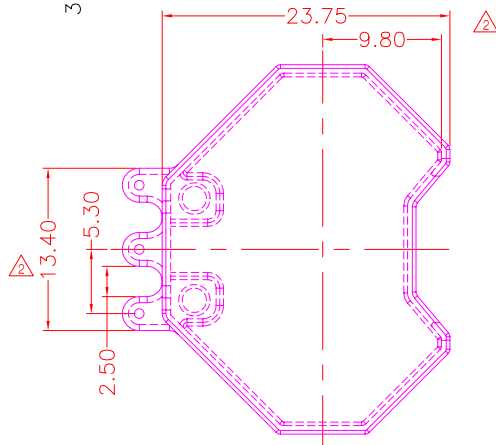
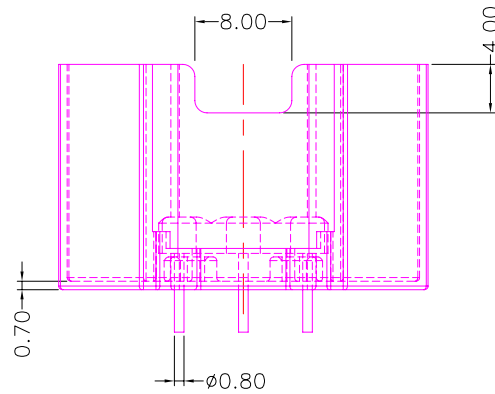
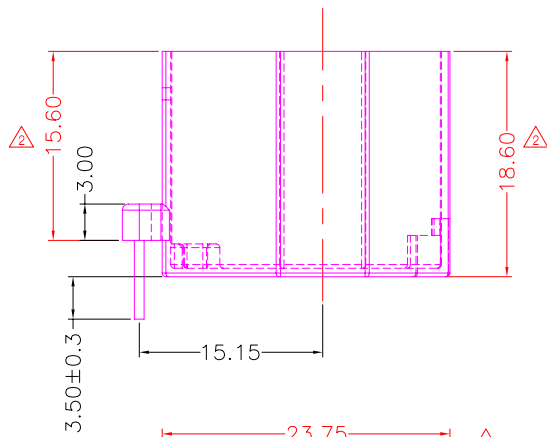
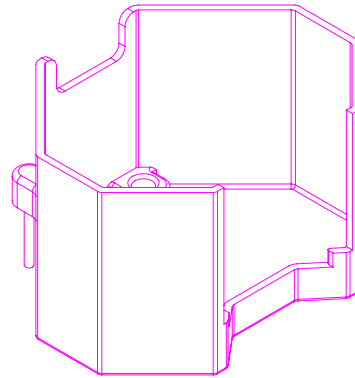
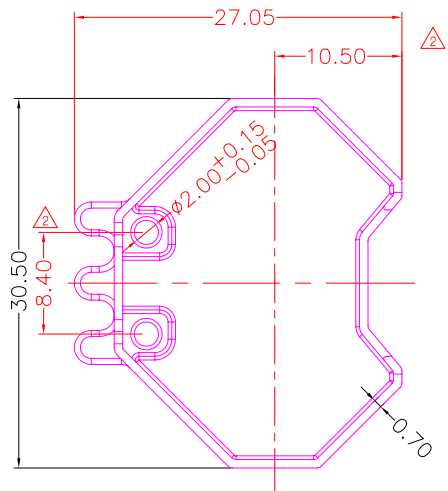


**TRANSFORMER BOBBIN
INDUSTRIAL CO.,LTD.**

Tel : 86-769-88789999 Fax : 86-769-88789989
http:// tbi-tw.com e-mail : tb6688@ms46.hinet.net

REVISIONS

| REV | SYM | DRAFTER | CHECKER | DATE |
|-----|-----|----------|----------|----------|
| 1 | | X.H.GU | G.F.YANG | 01/29/10 |
| 2 | | G.F.YANG | W.H.HSU | 04/19/10 |
| 3 | | | | |



DWG NO. RM10-18.2G-3P-CASE-TH-B1-11

| PART NO. | MATERIAL (BOBBIN) | MATERIAL (TERMINAL) | TERMINAL (PLATING) | PIN ALLOCATION | NOTE |
|--------------------|-------------------|---------------------|--------------------|----------------|------|
| TBI-208-04211.1106 | PM-9630 | CP WIRE | Sn | ALL PIN | |
| | | | | | |
| | | | | | |
| | | | | | |

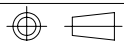
TBI-208-04211.1106

PM-9630

CP WIRE

Sn

ALL PIN



TOLERANCE: 0<L<=4:±0.1 4<L<=16:±0.2 16<L<=63:±0.3

UNIT : m / m

SCALE 1 : 1

Finish: 1. PB wire Immersion Sn on terminal : Thickness:Sn plating,100,5 μm (200 μ inches) min,Base nickel 0.625 μm (25 μ inches) min.
2. CP wire Immersion Sn on terminal : Thickness:Sn plating,100,5 μm (200 μ inches) min.
3. Coplanarity deviation: 0.10 mm (0.004 inches) max.

REV 2