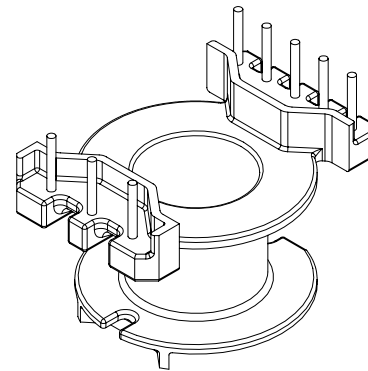
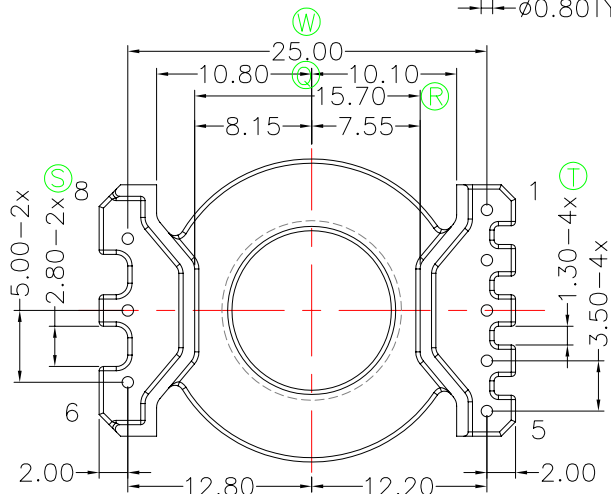
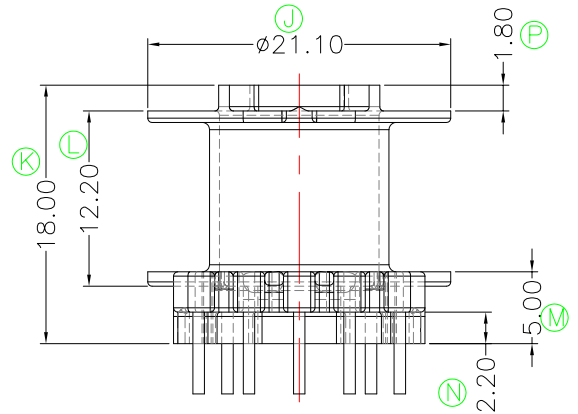
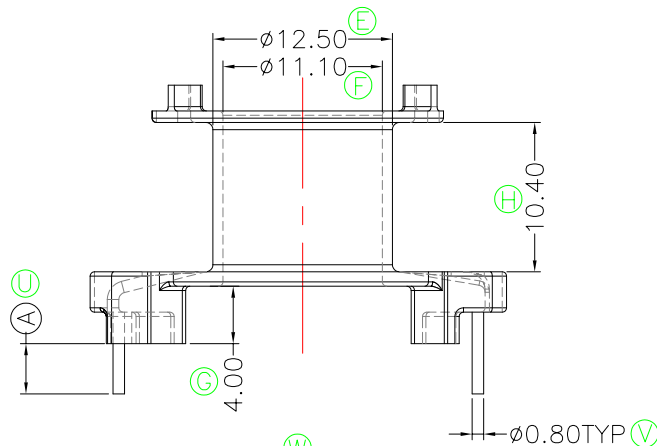
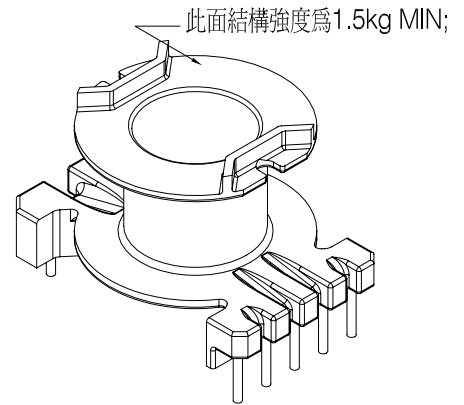
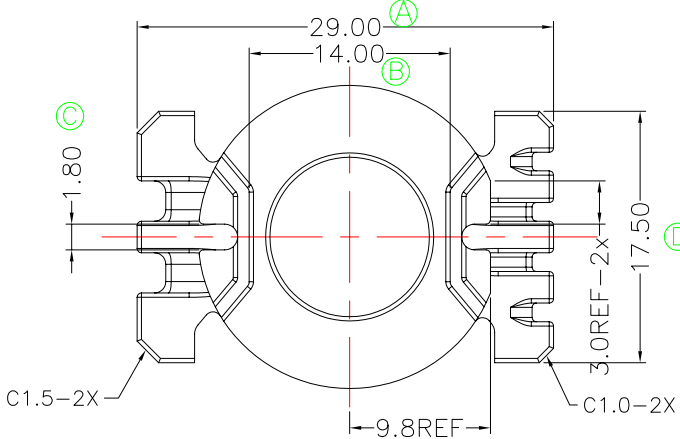




**TRANSFORMER BOBBIN INDUSTRIAL CO.,LTD.**

Tel : 86-769-88789999 Fax : 86-769-88789989  
 http:// tbi-tw.com e-mail : tb6688@ms46.hinet.net

REVISIONS				
REV	SYM	DRAFTER	CHECKER	DATE
①		YAN.TANG	G.F.YANG	11/11/09
②				
③				



注: 1. BOBBIN與RM10-18.6 CASE配合使用  
 2. 焊錫前拉力: 1.0KG MIN, 焊錫後拉力: 1.5KG MIN

DWG NO.	RM10-18.6-8P-TH-A6-12			PIN ALLOCATION	NOTE
PART NO.	MATERIAL (BOBBIN)	MATERIAL (TERMINAL)	TERMINAL (PLATING)		
TBI-208-04161.1206	PM-9820(BK)	CP WIRE	Sn	ALL PIN (A) = 3.5±0.3	
TBI-208-04161.1216	PM-9820(BK)	CP WIRE	Sn	CUT PIN #8 (A) = 2.4±0.2	H
TBI-208-04161.1226	PM-9820(BK)	CP WIRE	Sn	CUT PIN #8 (A) = 3.5±0.3	
TBI-208-04161.1236	PM-9820(BK)	CP WIRE	Sn	CUT PIN #3,6,8 (A) = 4.0±0.3	
TBI-208-04161.1246	PM-9820(BK)	CP WIRE	Sn	CUT PIN #3,6,8 (A) = 2.9±0.2	
TBI-208-04161.1256	PM-9820(BK)	CP WIRE	Sn	CUT PIN #6 (A) = 4.0±0.2	
TBI-208-04161.1266	PM-9820(BK)	CP WIRE	Sn	CUT PIN #3,6 (A) = 4.0±0.2	
TBI-208-04161.1276	PM-9820(BK)	CP WIRE	Sn	CUT PIN #3 (A) = 3.0±0.2	
TBI-208-04161.1286	PM-9820(BK)	CP WIRE	Sn	CUT PIN #3,6 (A) = 5.0±0.5	
TOLERANCE: 0<L≤4:±0.1 4<L≤16:±0.2 16<L≤63:±0.3				UNIT : m / m	SCALE 1 : 1

Finish: 1. PB wire Immersion Sn on terminal : Thickness: Sn plating, 100,5 μm (200 μ inches) min, Base nickel 0.625 μm (25 μ inches) min.  
 2. CP wire Immersion Sn on terminal : Thickness: Sn plating, 100,5 μm (200 μ inches) min.  
 3. Coplanarity deviation: 0.10 mm (0.004 inches) max.

REV 1