

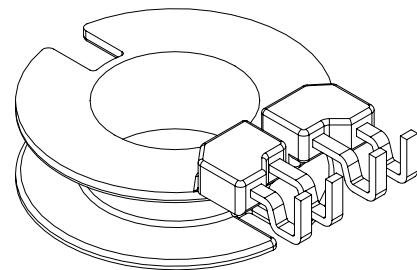
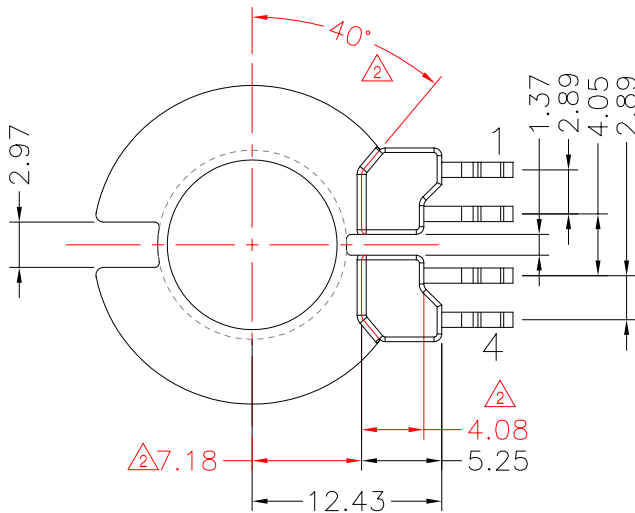
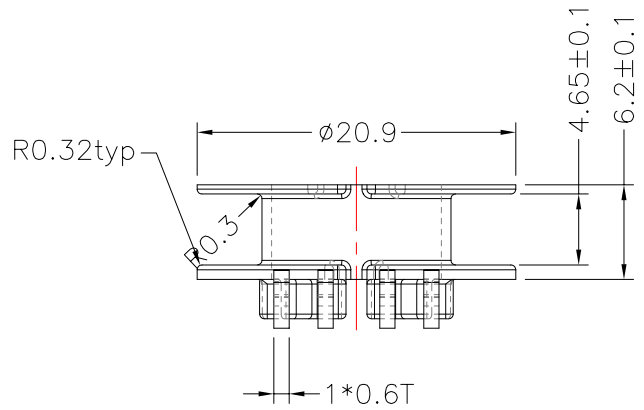
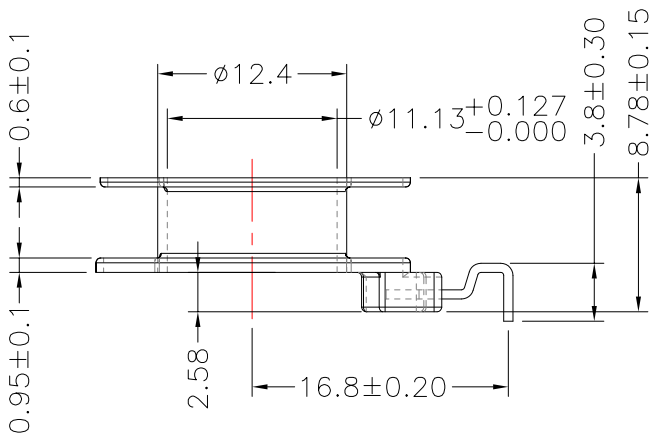
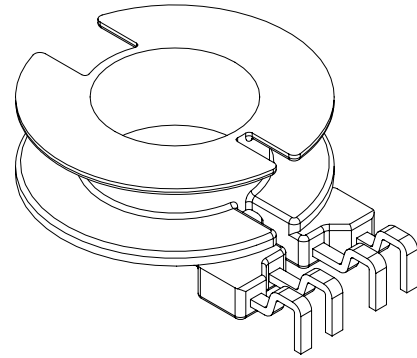
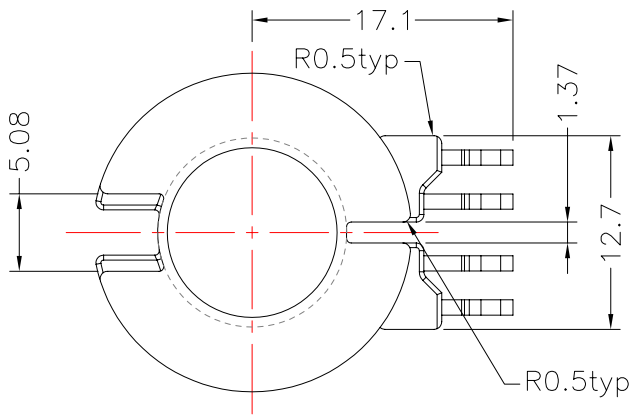


**TRANSFORMER BOBBIN  
INDUSTRIAL CO.,LTD.**

Tel : 86-769-88789999 Fax : 86-769-88789989  
http:// tbi-tw.com e-mail : tb6688@ms46.hinet.net

REVISIONS

REV	SYM	DRAFTER	CHECKER	DATE
1		S.Y.TANG	G.F.YANG	05/25/09
2		G.F.YANG	W.H.HSU	07/15/09
3				

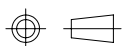


DWG NO. RM10-11.3-4P-THT-1C-11

PART NO.	MATERIAL (BOBBIN)	MATERIAL (TERMINAL)	TERMINAL (PLATING)	PIN ALLOCATION	NOTE
TBI-208-04131.1106	PM-9630	CP WIRE	Sn	ALL PIN	

GENERAL TOLERANCES

LENGTH(mm)	X.X	X.XX	LENGTH(mm)	X.X	X.XX
UNDER 5	±0.20	±0.10	ANGLE	±1°	±0.5°
5-15	±0.25	±0.15	RADIUS	±10%	±5%
15-40	±0.35	±0.20			



UNIT : m/m

SCALE 2 : 1

Finish: 1. PB wire Immersion Sn on terminal : Thickness:Sn plating,100,5 μm (200 μ inches) min,Base nickel 0.625 μm (25 μ inches) min.  
2. CP wire Immersion Sn on terminal : Thickness:Sn plating,100,5 μm (200 μ inches) min.  
3. Coplanarity deviation: 0.10 mm (0.004 inches) max.

REV 2