

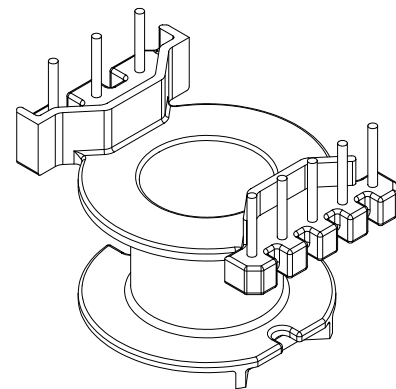
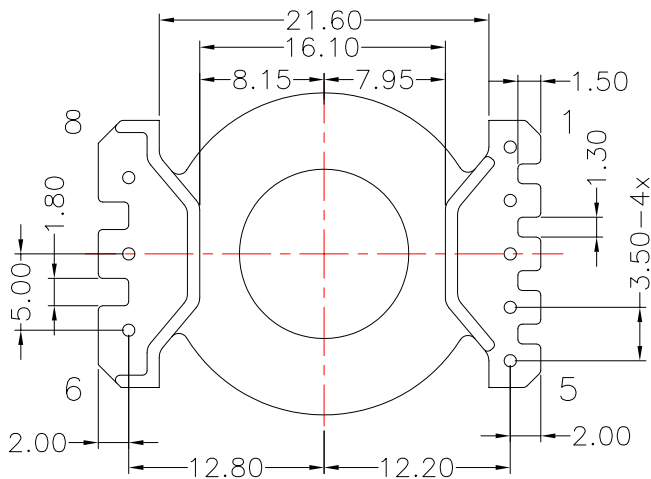
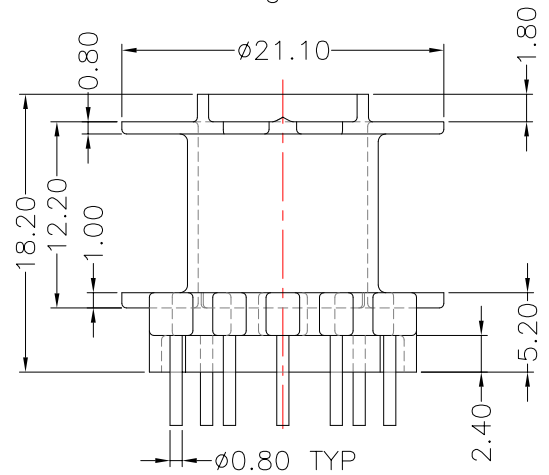
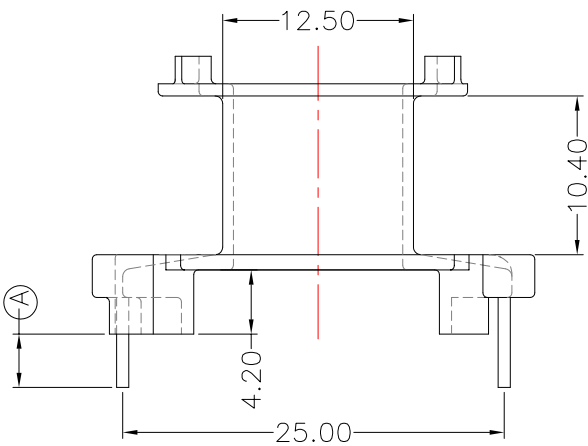
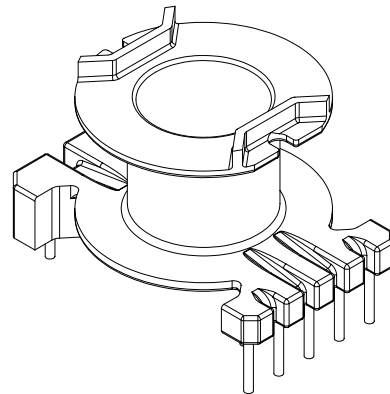
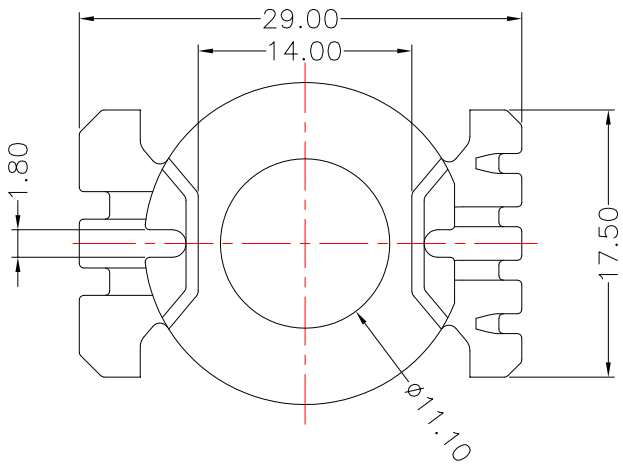


**TRANSFORMER BOBBIN
INDUSTRIAL CO.,LTD.**

Tel : 86-769-88789999 Fax : 86-769-88789989
http:// tbi-tw.com e-mail : tb6688@ms46.hinet.net

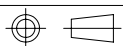
REVISIONS

REV	SYM	DRAFTER	CHECKER	DATE
①		X.H.GU	G.F.YANG	03/27/09
②				
③				



DWG NO. RM10-18.6-8P-TH-J-12

PART NO.	MATERIAL (BOBBIN)	MATERIAL (TERMINAL)	TERMINAL (PLATING)	PIN ALLOCATION	NOTE
TBI-208-04091.1206	PM-9820(BK)	CP WIRE	Sn	ALL PIN Ⓐ =3.5±0.3	
TBI-208-04091.1216	PM-9820(BK)	CP WIRE	Sn	CUT PIN#8 Ⓐ =2.6±0.2	
TBI-208-04091.1226	PM-9820(BK)	CP WIRE	Sn	CUT PIN#8 Ⓐ =2.4±0.2	



TOLERANCE: 0<L≤4:±0.1 4<L≤16:±0.2 16<L≤63:±0.3

UNIT : m / m

SCALE 1 : 1

Finish: 1. PB wire Immersion Sn on terminal : Thickness:Sn plating,100,5 μm (200 μ inches) min,Base nickel 0.625 μm (25 μ inches) min.
2. CP wire Immersion Sn on terminal : Thickness:Sn plating,100,5 μm (200 μ inches) min.
3. Coplanarity deviation: 0.10 mm (0.004 inches) max.

REV 1