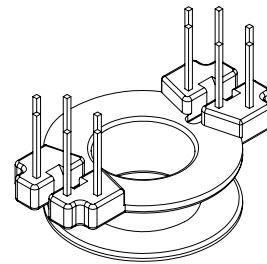
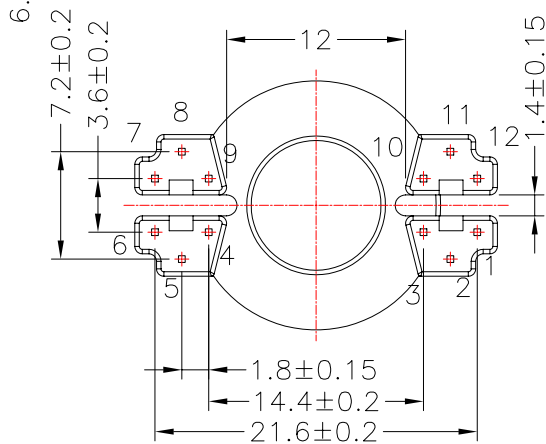
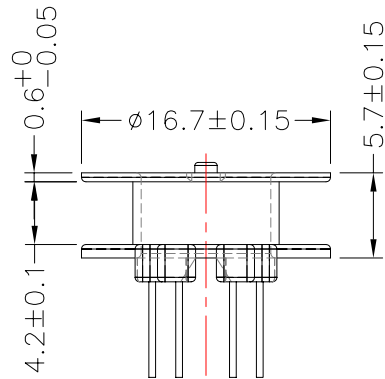
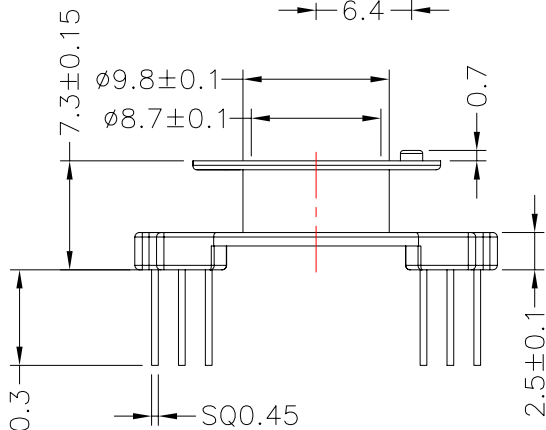
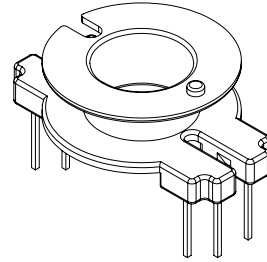
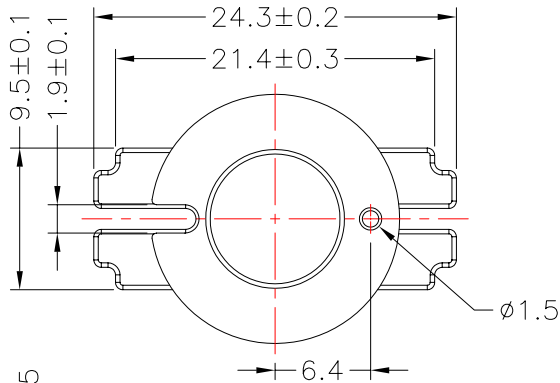




**TRANSFORMER BOBBIN
INDUSTRIAL CO.,LTD.**

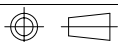
Tel : 86-769-88789999 Fax : 86-769-88789989
 http:// tbi-tw.com e-mail : tb6688@ms46.hinet.net

REVISIONS				
REV	SYM	DRAFTER	CHECKER	DATE
①		M.WANG	G.F.YANG	07/15/16
②				
③				



NOTE: 焊前拉力1.0 kg min ; 焊後拉力1.5 kg min ;

DWG NO. RM8LP-12P-TH-D5-11					
PART NO.	MATERIAL (BOBBIN)	MATERIAL (TERMINAL)	TERMINAL (PLATING)	PIN ALLOCATION	NOTE
TBI-208-05451.1106	PM-9630	CP WIRE	Sn	CUT PIN# 1,3,4,6,9,10,12	
TBI-208-05451.11	PM-9630	NA	NA		不插PIN H



TOLERANCE: 0~4:±0.1 4~16:±0.2 16~32:±0.3

UNIT : m/m

SCALE 2 : 1

Finish: 1. PB wire Immersion Sn on terminal : Thickness:Sn plating,100,5 μm (200 μ inches) min,Base nickel 0.625 μm (25 μ inches) min.
 2. CP wire Immersion Sn on terminal : Thickness:Sn plating,100, 7.25 ~ 10 μm (290-400 μ inches) min.
 3. Coplanarity deviation: 0.10 mm (0.004 inches)max.

REV 1