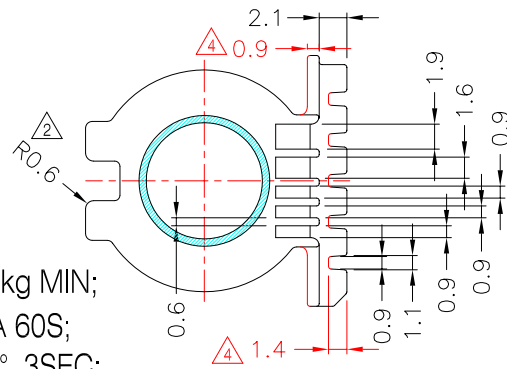
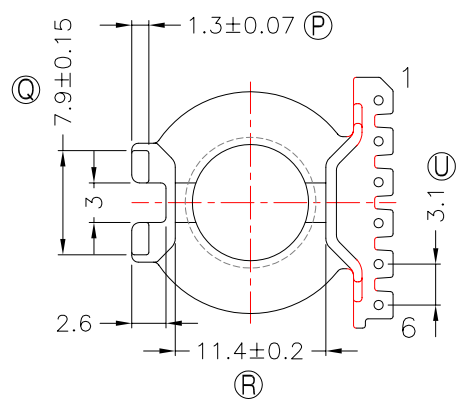
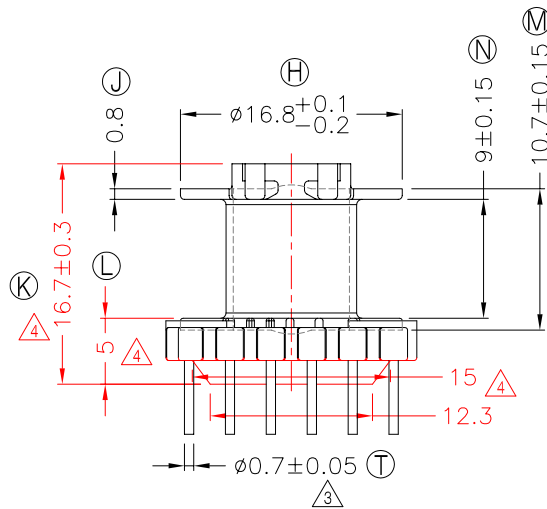
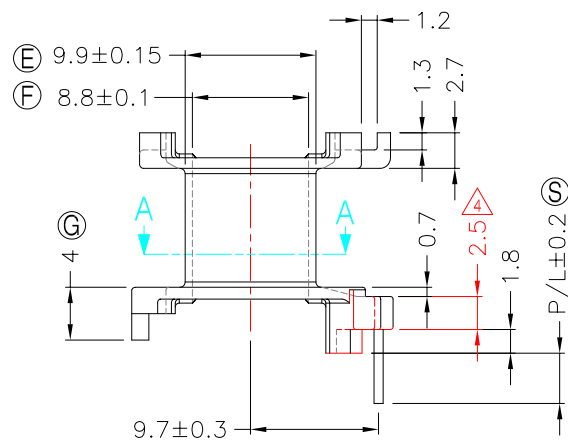
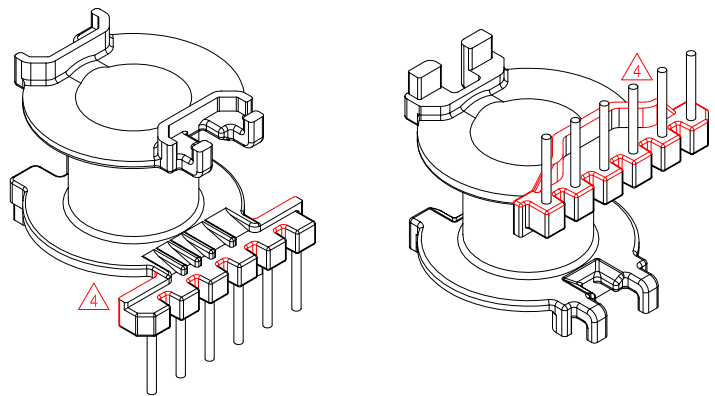
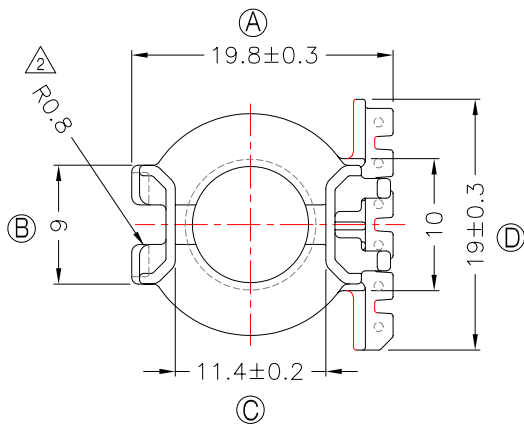




TRANSFORMER BOBBIN
INDUSTRIAL CO.,LTD.

Tel : 86-769-88789999 Fax : 86-769-88789989
http:// tbi-tw.com e-mail : tb6688@ms46.hinet.net

REVISIONS				
REV	SYM	DRAFTER	CHECKER	DATE
2		X.H.GU	G.F.YANG	11/18/14
3		X.X.YUAN	G.F.YANG	04/29/15
4		X.H.GU	G.F.YANG	06/16/15



NOTE:

- 1.任意一點強度須1.5kg MIN;
- 2.耐壓4.0Kv /1.5mA 60S;
- 3.焊錫溫度:450°±10° 3SEC;
- 4.焊錫前拉力:1.0KG MIN,焊錫後拉力:1.5KG MIN;
- 5.與TBI-208-05401.12C(RM8-16.7A-CASE-D0-12)配套使用;

SECTION A-A

DWG NO.	RM8-16.7A-6P-TH-D0-12				
PART NO.	MATERIAL (BOBBIN)	MATERIAL (TERMINAL)	TERMINAL (PLATING)	PIN ALLOCATION	NOTE
TBI-208-05401.1206	PM-9820	CP WIRE	Sn	ALL PIN P/L =3.8±0.2	S
TBI-208-05401.1216	PM-9820	CP WIRE	Sn	NO PIN#4 P/L =3.8±0.2	H
TBI-208-05401.1226	PM-9820	CP WIRE	Sn	NO PIN#4 P/L =4.6±0.2	
TBI-208-05401.1236	PM-9820	CP WIRE	Sn	NO PIN#4 P/L =4.2±0.2	
TBI-208-05401.1246	PM-9820	CP WIRE	Sn	NO PIN#5 P/L =3.8±0.2	

	TOLERANCE: 0<L<=4:±0.1 4<L<=16:±0.2 16<L<=63:±0.3	UNIT : m / m	SCALE 1 : 1
--	---	--------------	-------------

Finish: 1. PB wire Immersion Sn on terminal : Thickness:Sn plating,100%,5 μm (200 μ inches) min,Base nickel 0.625 μm (25 μ inches) min.
2. CP WIRE Immersion Sn on terminal : Thickness:Sn plating,100%,5 μm (200 μ inches) min.
3. Coplanarity deviation: 0.10 mm (0.004 inches) max.

REV 4