

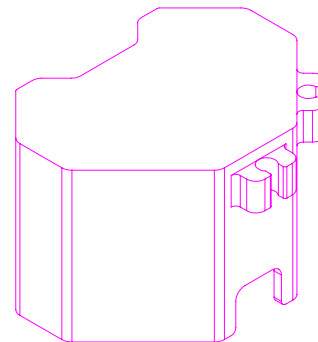
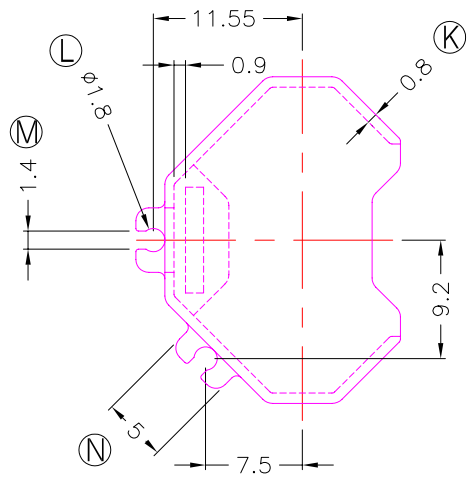
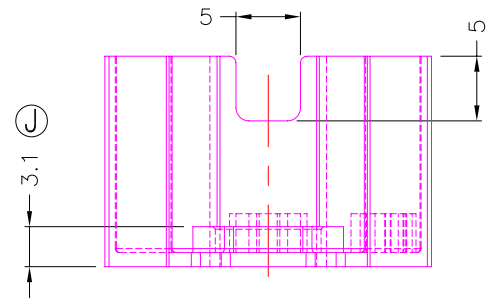
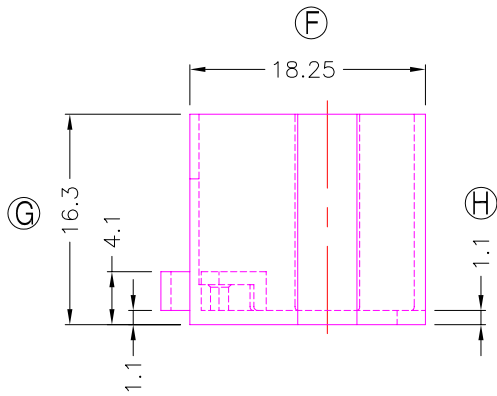
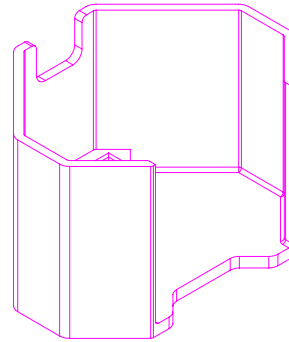
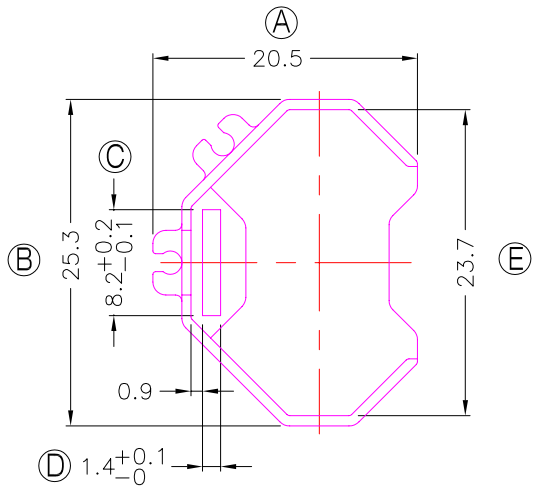


**TRANSFORMER BOBBIN  
INDUSTRIAL CO.,LTD.**

Tel : 86-769-88789999 Fax : 86-769-88789989  
http://tbi-tw.com e-mail : tb6688@ms46.hinet.net

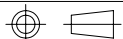
REVISIONS

REV	SYM	DRAFTER	CHECKER	DATE
1		X.H.GU	G.F.YANG	04/24/14
2				
3				



與TBI-208-05401.12XX(RM8-16.7A-6P-TH-D0-12)配套使用;

DWG NO.	RM8-16.7A-CASE-D0-12				
PART NO.	MATERIAL (BOBBIN)	MATERIAL (TERMINAL)	TERMINAL (PLATING)	PIN ALLOCATION	NOTE
TBI-208-05401.12C	PM-9820	NA			S



TOLERANCE: 0 < L <= 4 : ± 0.1 4 < L <= 16 : ± 0.2 16 < L <= 63 : ± 0.3

UNIT : m / m

SCALE 1 : 1

Finish: 1. PB wire Immersion Sn on terminal : Thickness:Sn plating,100%,5 μ m (200 μ inches) min,Base nickel 0.625 μ m (25 μ inches) min.  
2. CP WIRE Immersion Sn on terminal : Thickness:Sn plating,100%,5 μ m (200 μ inches) min.  
3. Coplanarity deviation: 0.10 mm (0.004 inches) max.

REV 1