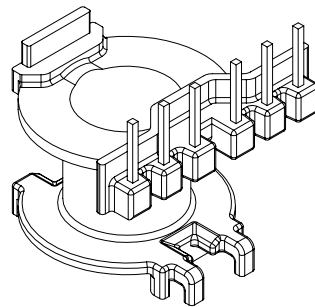
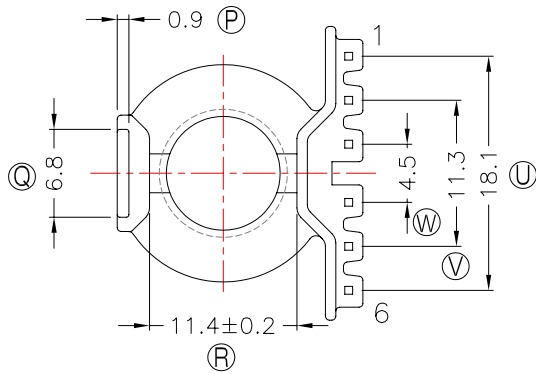
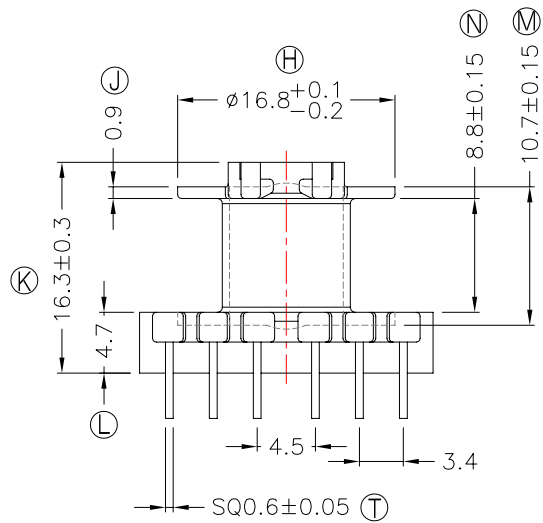
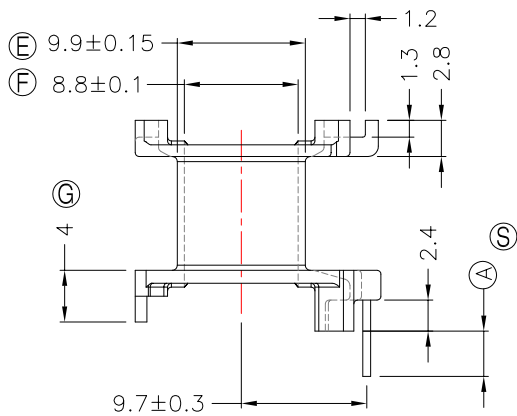
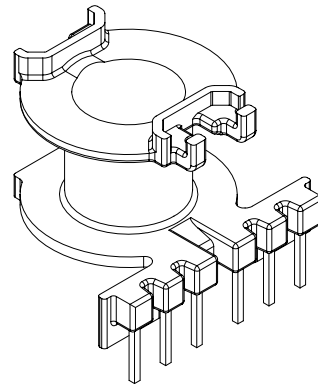
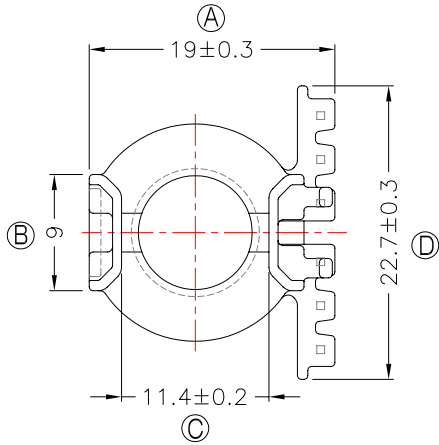




**TRANSFORMER BOBBIN
INDUSTRIAL CO.,LTD.**

Tel : 86-769-88789999 Fax : 86-769-88789989
 http:// tbi-tw.com e-mail : tb6688@ms46.hinet.net

REVISIONS				
REV	SYM	DRAFTER	CHECKER	DATE
①		X.H.GU	G.F.YANG	02/19/14
②				
③				



與TBI-208-05371.11XX(RM8-16.7A-2P-CASE-C7-11)配套使用;

DWG NO.	RM8-16.7A-6P-TH-C6-11					
PART NO.	MATERIAL (BOBBIN)	MATERIAL (TERMINAL)	TERMINAL (PLATING)	PIN ALLOCATION	NOTE	
TBI-208-05361.1106	PM-9630	CP WIRE	Sn	ALL PIN (A)=3.5±0.2	S	
TBI-208-05361.1116	PM-9630	CP WIRE	Sn	CUT PIN#1,5 (A)=4.5±0.2		
TBI-208-05361.1126	PM-9630	CP WIRE	Sn	CUT PIN#1,5 (A)=5.0±0.2		
TBI-208-05361.1136	PM-9630	CP WIRE	Sn	CUT PIN#1,5 (A)=3.0±0.2		
TBI-208-05361.1146	PM-9630	CP WIRE	Sn	CUT PIN#1,3,4,6 (A)=3.0±0.2		
TBI-208-05361.1156	PM-9630	CP WIRE	Sn	CUT PIN#1,2,4,6 (A)=3.0±0.2		
TBI-208-05361.1166	PM-9630	CP WIRE	Sn	CUT PIN#1,5 (A)=3.4±0.2		
		TOLERANCE: 0<L<=4:±0.1 4<L<=16:±0.2 16<L<=63:±0.3		UNIT : m/m	SCALE 1 : 1	

Finish: 1. PB wire Immersion Sn on terminal : Thickness:Sn plating,100%,5 μm (200 μinches) min,Base nickel 0.625 μm (25 μ inches) min.
 2. CP WIRE Immersion Sn on terminal : Thickness:Sn plating,100%,5 μm (200 μinches) min.
 3. Coplanarity deviation: 0.10 mm (0.004 inches) max.

REV 1