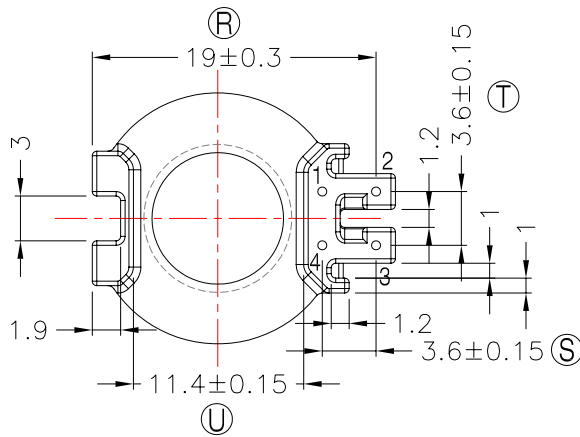
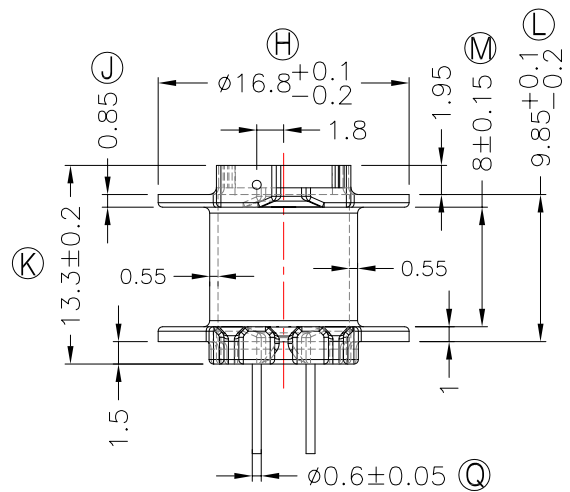
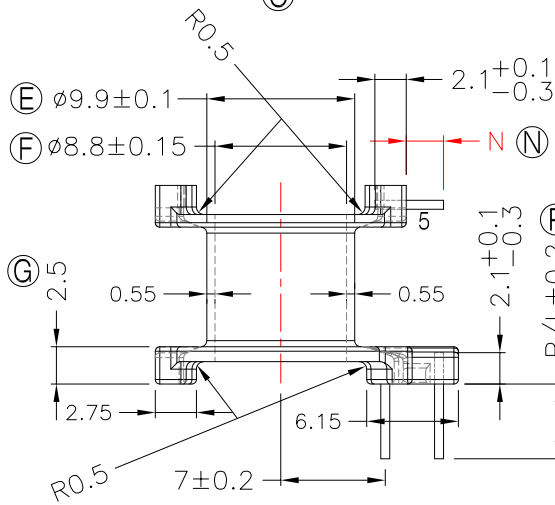
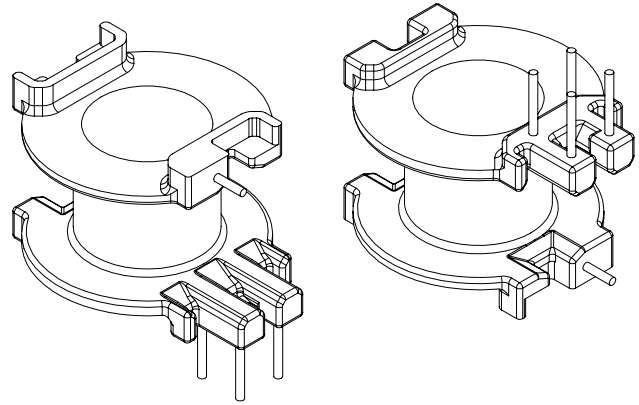
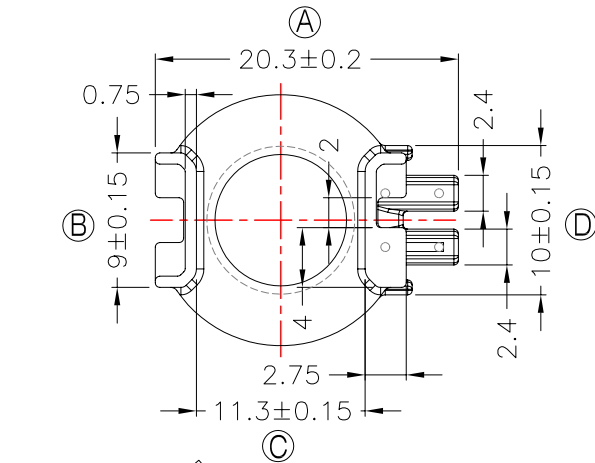




TRANSFORMER BOBBIN  
INDUSTRIAL CO.,LTD.

Tel : 86-769-88789999 Fax : 86-769-88789989  
http:// tbi-tw.com e-mail : tb6688@ms46.hinet.net

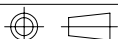
REVISIONS				
REV	SYM	DRAFTER	CHECKER	DATE
△1		X.H.GU	G.F.YANG	05/08/15
△2				
△3				



NOTE:

- 1.任意一點強度須2.5kg MIN;
- 2.耐壓4.0Kv /1.5mA 60S;
- 3.焊錫溫度:450°±10° 3SEC
- 4.焊錫前拉力:1.5KG MIN,焊錫後拉力:1.5KG MIN;

DWG NO.	RM8-15.7G-5P-TH-B9-11				
PART NO.	MATERIAL (BOBBIN)	MATERIAL (TERMINAL)	TERMINAL (PLATING)	PIN ALLOCATION	NOTE
TBI-208-05291.1106	PM-9630	CP WIRE	Sn	ALL PIN P/L=5.0±0.2 N=2.5±0.2	
TBI-208-05291.1116	PM-9630	CP WIRE	Sn	ALL PIN P/L=6.0±0.2 N=2.5±0.2	
TBI-208-05291.1126	PM-9630	CP WIRE	Sn	CUT PIN#5 P/L=6.0±0.2 N=2.5±0.2	
TBI-208-05291.1136	PM-9630	CP WIRE	Sn	ALL PIN P/L=7.0±0.2 N=2.5±0.2	
TBI-208-05291.1146	PM-9630	CP WIRE	Sn	ALL PIN P/L=7.0±0.2 N=1.6+0.1/-0.2	
TBI-208-05291.1156	PM-9630	CP WIRE	Sn	ALL PIN P/L=5.0±0.2 N=1.2±0.2	
TBI-208-05291.1166	PM-9630	CP WIRE	Sn	ALL PIN P/L=5.0±0.2 N=1.6+0.1/-0.2	



TOLERANCE: 0<L<=4:±0.1 4<L<=16:±0.2 16<L<=63:±0.3

UNIT : m/m

SCALE 1 : 1

Finish: 1. PB wire Immersion Sn on terminal : Thickness:Sn plating,100%,5 μm (200 μ inches) min,Base nickel 0.625 μm (25 μ inches) min.  
2. CP WIRE Immersion Sn on terminal : Thickness:Sn plating,100%,5 μm (200 μ inches) min.  
3. Coplanarity deviation: 0.10 mm (0.004 inches) max.

REV 1