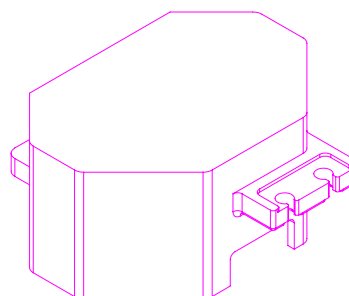
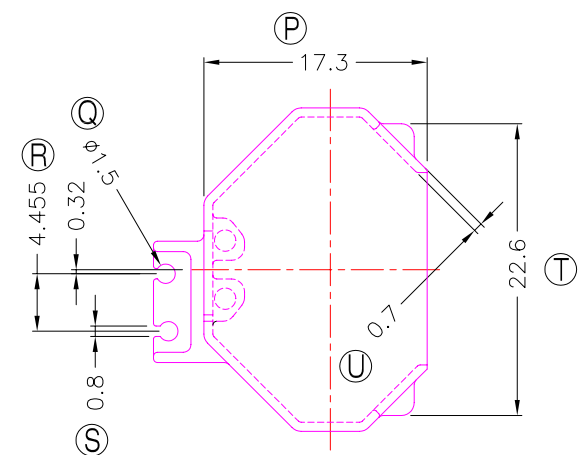
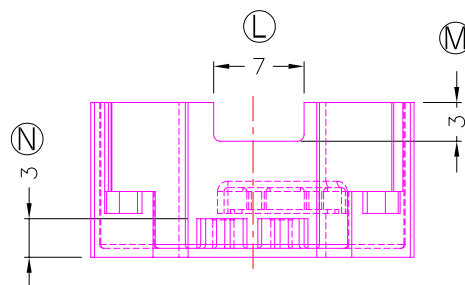
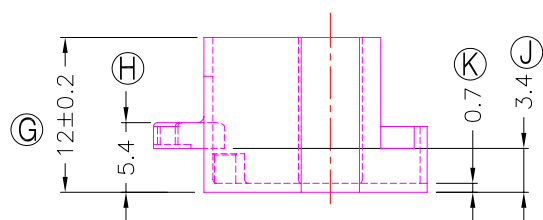
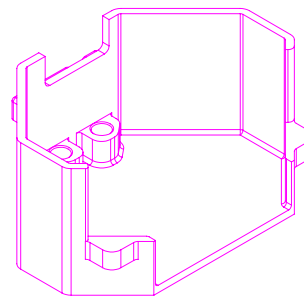
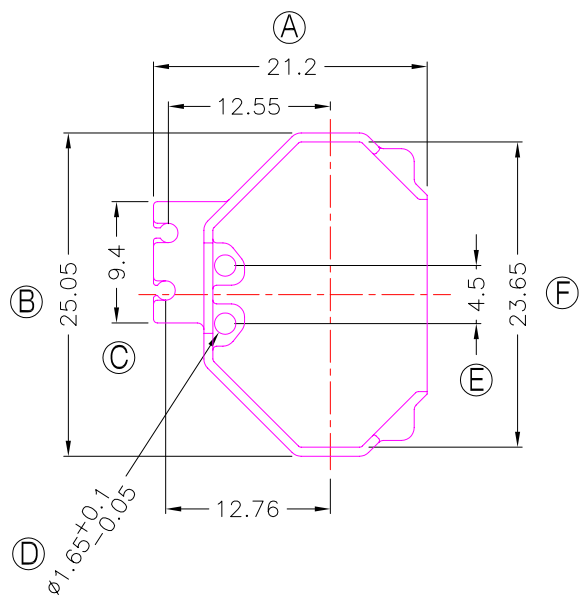


REVISIONS				
REV	SYM	DRAFTER	CHECKER	DATE
1		X.H.GU	G.F.YANG	11/07/12
2				
3				



與TBI-208-05251.12XX(RM8-12.7G-4P-THT-2E-12)配套使用;

DWG NO.	RM8-12.7G-CASE-B5-12				
PART NO.	MATERIAL (BOBBIN)	MATERIAL (TERMINAL)	TERMINAL (PLATING)	PIN ALLOCATION	NOTE
TBI-208-05251.12C	PM-9820	NA	NA		S

	TOLERANCE: 0<L≤4:±0.1 4<L≤16:±0.2 16<L≤63:±0.3	UNIT : m / m	SCALE 1 : 1
Finish:	1. PB wire Immersion Sn on terminal : Thickness:Sn plating,100,5 μm (200 μ inches) min,Base nickel 0.625 μm (25 μ inches) min. 2. CP WIRE Immersion Sn on terminal : Thickness:Sn plating,100,5 μm (200 μ inches) min. 3. Coplanarity deviation: 0.10 mm (0.004 inches) max.		REV 1