

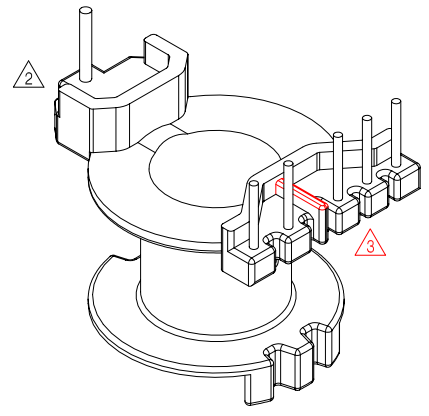
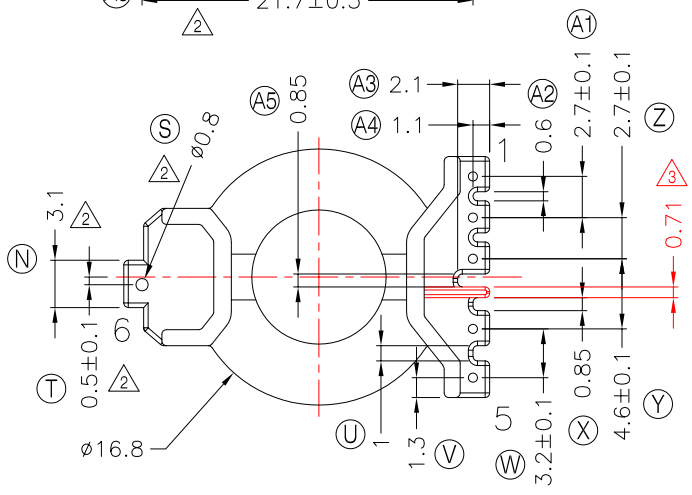
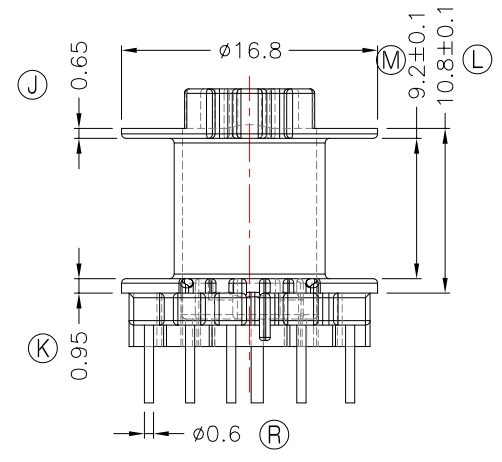
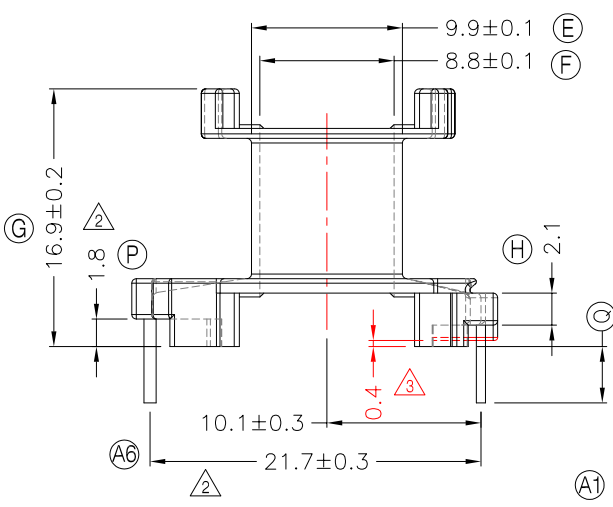
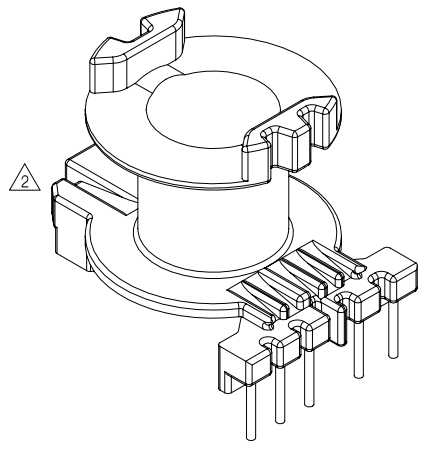
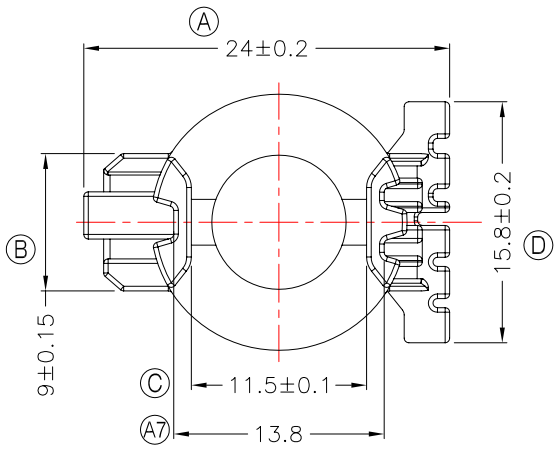


**TRANSFORMER BOBBIN
INDUSTRIAL CO.,LTD.**

Tel : 86-769-88789999 Fax : 86-769-88789989
http:// tbi-tw.com e-mail : tb6688@ms46.hinet.net

REVISIONS

| REV | SYM | DRAFTER | CHECKER | DATE |
|-----|-----|----------|----------|----------|
| △1 | | YAN.TANG | G.F.YANG | 03/04/10 |
| △2 | | X.H.GU | G.F.YANG | 05/06/10 |
| △3 | | H.X.DUAN | G.F.YANG | 08/24/11 |



| | | | | | |
|---------------------------------------|-------------------|---------------------|--------------------|-----------------------|------|
| DWG NO. | RM8-6P-TH-A3-11 | | | | |
| PART NO. | MATERIAL (BOBBIN) | MATERIAL (TERMINAL) | TERMINAL (PLATING) | PIN ALLOCATION | NOTE |
| TBI-208-05131.1106 | PM-9630 | CP WIRE | Sn | ALL PIN (Q) = 3.7±0.3 | S |
| TBI-208-05131.1116 | PM-9630 | CP WIRE | Sn | ALL PIN (Q) = 2.6±0.2 | H |
| TOLERANCE: .X±0.15 .XX±0.10 .XXX±0.05 | | | | | |
| UNIT : m / m | | | | SCALE 1 : 1 | |

Finish: 1. Pb wire Immersion Sn on terminal : Thickness:Sn plating,100,5 μm (200 μ inches) min,Base nickel 0.625 μm (25 μ inches) min.
2. CP WIRE Immersion Sn on terminal : Thickness:Sn plating,100,5 μm (200 μ inches) min.
3. Coplanarity deviation: 0.10 mm (0.004 inches) max.

| | |
|-----|---|
| REV | 3 |
|-----|---|