



**TRANSFORMER BOBBIN  
INDUSTRIAL CO.,LTD.**

Tel : 86-769-88789999 Fax : 86-769-88789989  
http:// tbi-tw.com e-mail : tb6688@ms46.hinet.net

REVISIONS				
REV	SYM	DRAFTER	CHECKER	DATE
1		YAN.TANG	G.F.YANG	09/19/09
2				
3				

A

A

B

B

C

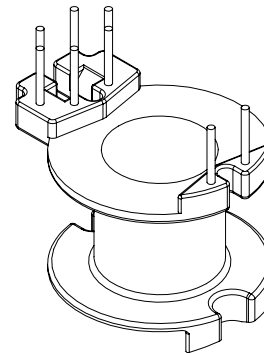
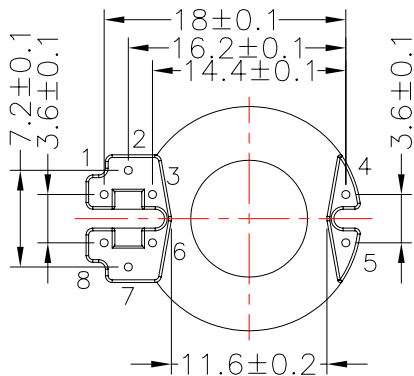
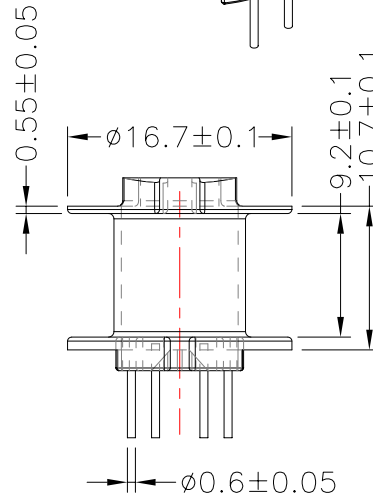
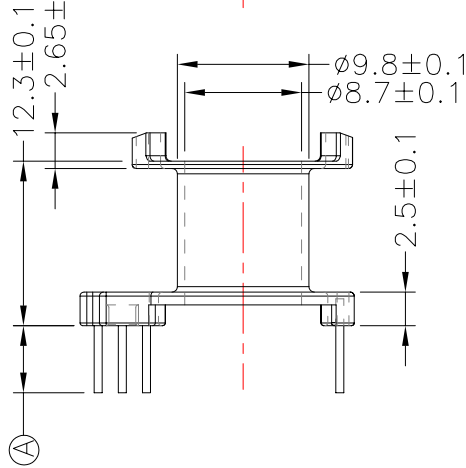
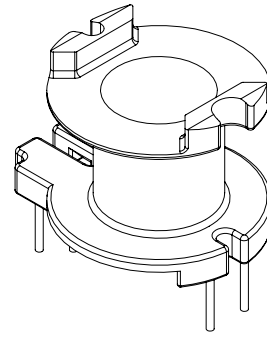
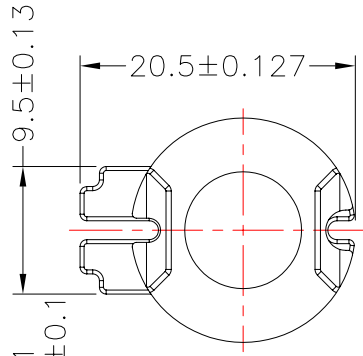
C

D

D

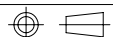
E

E



DWG NO. RM8-8P-TH-A0-11

PART NO.	MATERIAL (BOBBIN)	MATERIAL (TERMINAL)	TERMINAL (PLATING)	PIN ALLOCATION	NOTE
TBI-208-05101.1106	PM-9630	CP WIRE	Sn	CUT PIN #4,5, (A)=5.0±0.3	
TBI-208-05101.1116	PM-9630	CP WIRE	Sn	CUT PIN #2,4,5,7, (A)=5.0±0.3	H
TBI-208-05101.1126	PM-9630	CP WIRE	Sn	ALL PIN, (A)=5.0±0.3	
TBI-208-05101.1136	PM-9630	CP WIRE	Sn	CUT PIN #1,6, (A)=5.0±0.3	
TBI-208-05101.1146	PM-9630	CP WIRE	Sn	CUT PIN #1,6, (A)=6.0±0.3	
TBI-208-05101.1156	PM-9630	CP WIRE	Sn	CUT PIN #3,4,6, (A)=5.0±0.3	
TBI-208-05101.1166	PM-9630	CP WIRE	Sn	CUT PIN #3,4,6, (A)=6.0±0.3	
TBI-208-05101.1176	PM-9630	CP WIRE	Sn	CUT PIN #3,5,6, (A)=5.0±0.3	
TBI-208-05101.1186	PM-9630	CP WIRE	Sn	CUT PIN #3,5,6, (A)=6.5±0.3	
TBI-208-05101.1196	PM-9630	CP WIRE	Sn	CUT PIN #4,5, (A)=6.0±0.3	
TBI-208-05101.11A6	PM-9630	CP WIRE	Sn	CUT PIN #1,2,7,8, (A)=5.0±0.3	
TBI-208-05101.11B6	PM-9630	CP WIRE	Sn	ALL PIN, (A)=7.0±0.3	排距公差±0.3,PIN距公差±0.2
TBI-208-05101.11C6	PM-9630	CP WIRE	Sn	CUT PIN #4,5,6, (A)=5.0±0.3	



TOLERANCE: .X±0.15 .XX±0.10 .XXX±0.05

UNIT : m / m

SCALE 1 : 1

Finish: 1. PB wire Immersion Sn on terminal : Thickness:Sn plating,100,5 μm (200 μ inches) min,Base nickel 0.625 μm (25 μ inches) min.  
2. CP WIRE Immersion Sn on terminal : Thickness:Sn plating,100,5 μm (200 μ inches) min.  
3. Coplanarity deviation: 0.10 mm (0.004 inches) max.

REV 1

F

F