

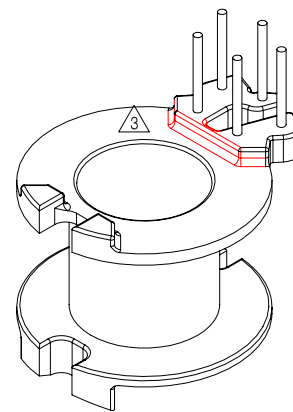
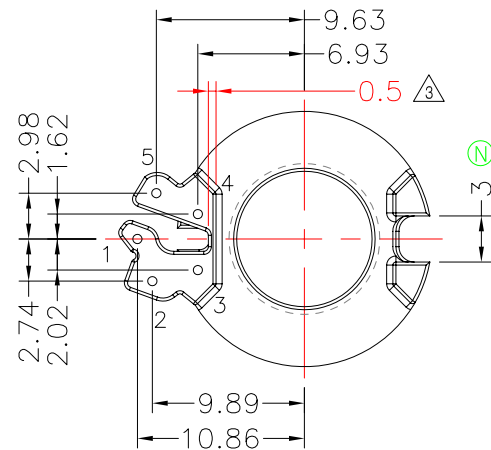
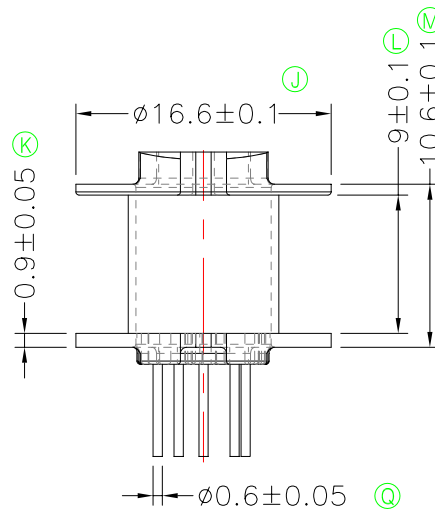
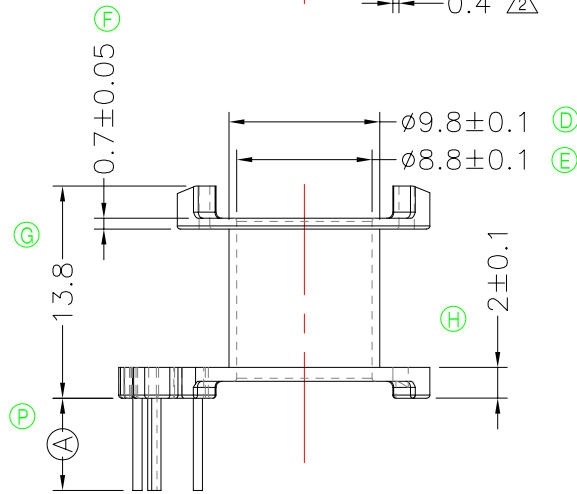
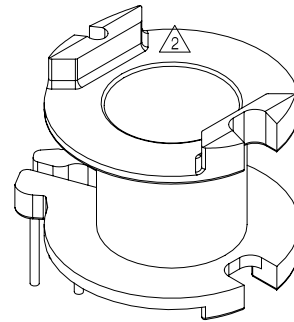
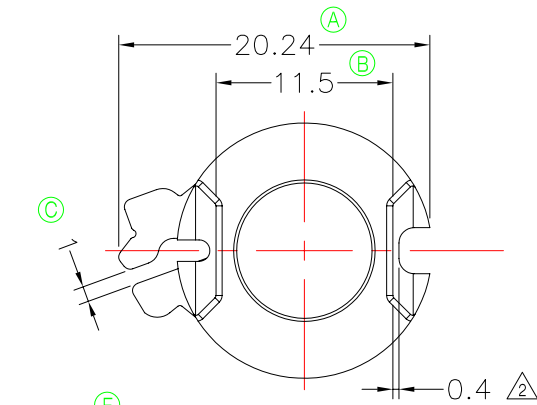


**TRANSFORMER BOBBIN
INDUSTRIAL CO.,LTD.**

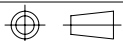
Tel : 86-769-88789999 Fax : 86-769-88789989
 http:// tbi-tw.com e-mail : tb6688@ms46.hinet.net

REVISIONS

REV	SYM	DRAFTER	CHECKER	DATE
1		YAN.TANG	G.F.YANG	08/02/08
2		X.H.GU	G.F.YANG	08/06/09
3		X.H.GU	G.F.YANG	11/30/09



DWG NO.	RM8-5P-TH-E-11				
PART NO.	MATERIAL (BOBBIN)	MATERIAL (TERMINAL)	TERMINAL (PLATING)	PIN ALLOCATION	NOTE
TBI-208-05051.1106	PM-9630JT	CP WIRE	Sn	ALL PIN (A) = 6±0.2 (A3)	
TBI-208-05051.1116	PM-9630JT	CP WIRE	Sn	CUT PIN #5 (A) = 6±0.2 (A3)	
TBI-208-05051.1126	PM-9630JT	CP WIRE	Sn	CUT PIN #1 (A) = 4.6±0.2 (A3)	
TBI-208-05051.1136	PM-9630JT	CP WIRE	Sn	CUT PIN #5 (A) = 4.6±0.2 (A3)	



TOLERANCE: 0<L<6: ±0.1 6<L<20: ±0.2 20<L<50: ±0.3

UNIT : m / m

SCALE 2 : 1

Finish: 1. PB wire Immersion Sn on terminal : Thickness:Sn plating,100,5 μm (200 μ inches) min,Base nickel 0.625 μm (25 μ inches) min.
 2. CP WIRE Immersion Sn on terminal : Thickness:Sn plating,100,5 μm (200 μ inches) min.
 3. Coplanarity deviation: 0.10 mm (0.004 inches) max.

REV 3