



TRANSFORMER BOBBIN
INDUSTRIAL CO.,LTD.

Tel : 86-769-88789999 Fax : 86-769-88789989
http://tbi-tw.com e-mail : tb6688@ms46.hinet.net

REVISIONS				
REV	SYM	DRAFTER	CHECKER	DATE
△		YAN.TANG	W.H.HSU	05/14/07
△		YAN.TANG	W.H.HSU	07/24/07
△				

A

A

B

B

C

C

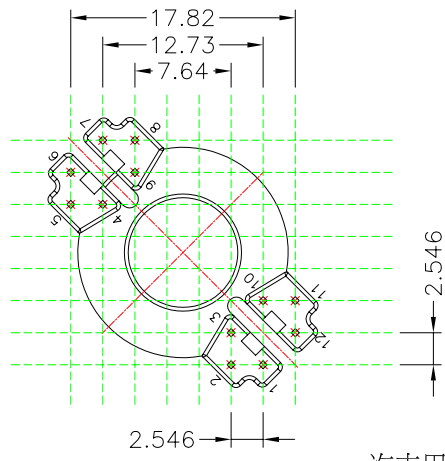
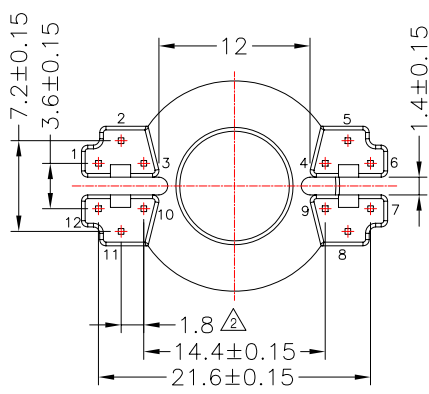
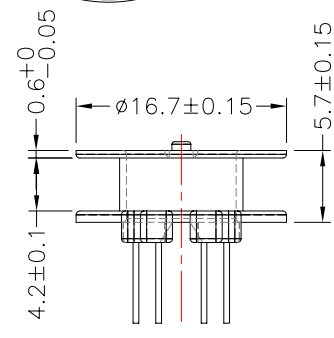
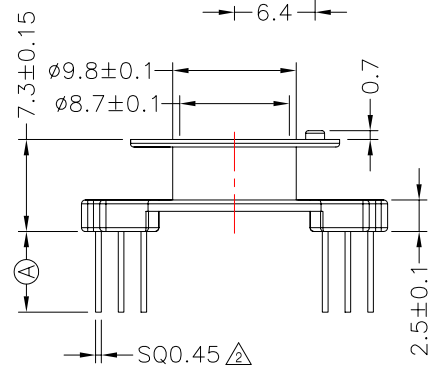
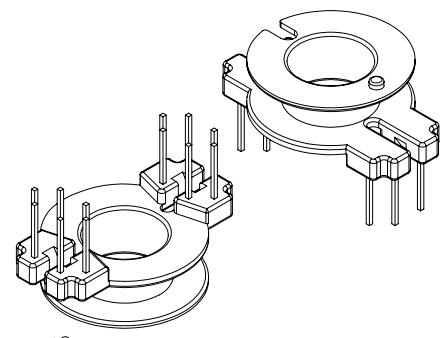
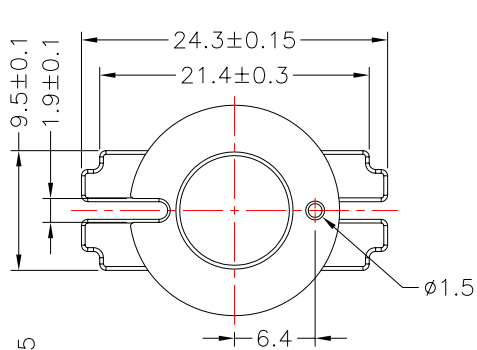
D

D

E

E

F



NOTE: 單pin拉力2.0 kg min, pin總平均拉力2.6 kg min。

汽車用產品

DWG NO.		RM8LP-12P-TH-C-1			
PART NO.	MATERIAL (BOBBIN)	MATERIAL (TERMINAL)	TERMINAL (PLATING)	PIN ALLOCATION	NOTE
TBI-208-05031.106	PM-9630	CP WIRE	Sn	ALL PIN (A)=6.4±0.3	
TBI-208-05031.116	PM-9630	CP WIRE	Sn	CUT PIN# 5,8 (A)=6.4±0.3	H
△ TBI-208-05031.126	PM-9630	CP WIRE	Sn	CUT PIN #1 (A)=3.7±0.3	
△ TBI-208-05031.136	PM-9630	CP WIRE	Sn	CUT PIN #1 (A)=5.5±0.3	
△ TBI-208-05031.146	PM-9630	CP WIRE	Sn	CUT PIN #1 (A)=5.0±0.2	
△ TBI-208-05031.156	PM-9630	CP WIRE	Sn	CUT PIN #7 (A)=5.5±0.2	
△ TBI-208-05031.166	PM-9630	CP WIRE	Sn	CUT PIN #1 (A)=4.0+0.2/-0.1	
TBI-208-05031.176	PM-9630	CP WIRE	Sn	CUT PIN #7 (A)=6.4±0.3	
TBI-208-05031.186	PM-9630	CP WIRE	Sn	CUT PIN #6 (A)=5.0±0.3	
TBI-208-05031.196	PM-9630	CP WIRE	Sn	CUT PIN #1,2,3 (A)=5.5±0.3	
TBI-208-05031.1A6	PM-9630	CP WIRE	Sn	CUT PIN #7,8,9 (A)=4.0±0.3	
TBI-208-05031.1B6	PM-9630	CP WIRE	Sn	CUT PIN #1,2,3 (A)=4.0±0.3	
TBI-208-05031.1C6	PM-9630	CP WIRE	Sn	CUT PIN #1,2,3 (A)=5.0±0.3	
TBI-208-05031.1D6	PM-9630	CP WIRE	Sn	CUT PIN #12 (A)=5.5±0.3	
TBI-208-05031.1E6	PM-9630	CP WIRE	Sn	ALL PIN (A)=5.0±0.3	SCALE 2:1
TBI-208-05031.1F6	PM-9630	CP WIRE	Sn	CUT PIN #3,4,5,6,7,8,9,10 (A)=5.0±0.3	
TBI-208-05031.1G6	PM-9630	NA	NA	NA	

TOLERANCE: 0~4:±0.1 4~16:±0.2 16~32:±0.3 UNIT : m / m

Finish: 1. PB wire Immersion Sn on terminal : Thickness:Sn plating,100.5 μm (200 μ inches) min,Base nickel 0.625 μm (25 μ inches) min.
2. CP wire Immersion Sn on terminal : Thickness:Sn plating,100, 7.25 ~ 10 μm (290-400 μ inches) min. △
3. Coplanarity deviation: 0.10 mm (0.004 inches) jmax.

REV 2