

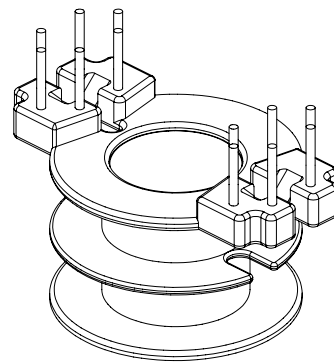
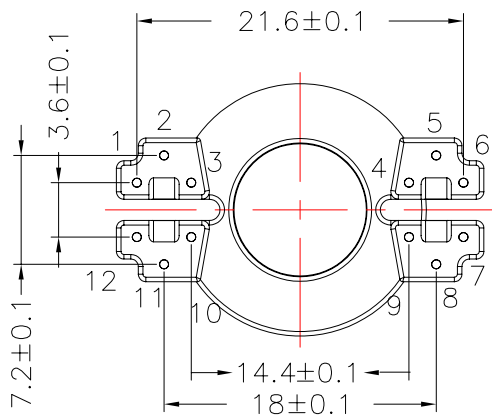
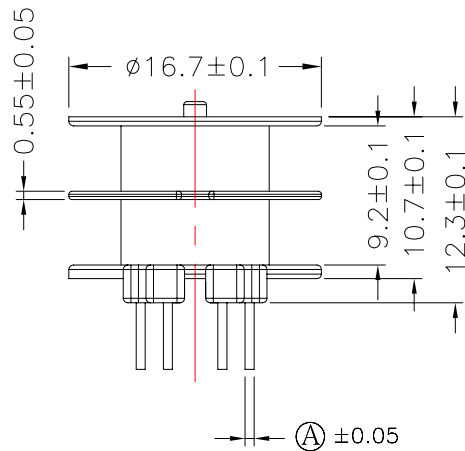
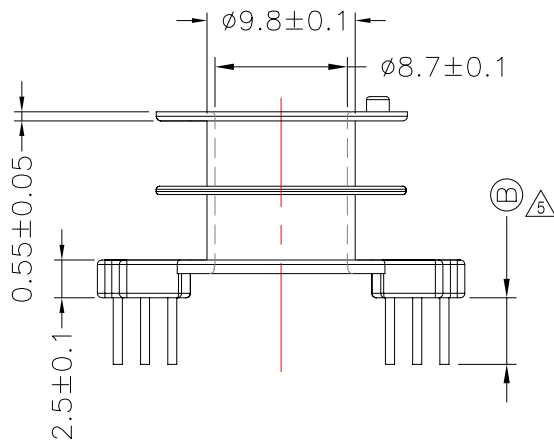
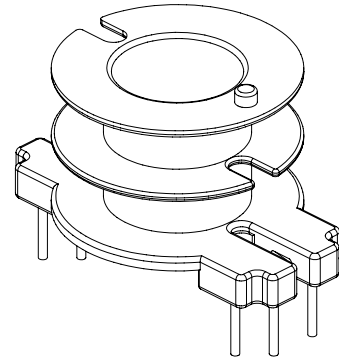
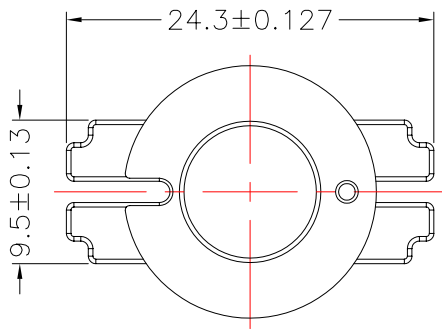


**TRANSFORMER BOBBIN INDUSTRIAL CO.,LTD.**

Tel : 86-769-88789999 Fax : 86-769-88789989  
 http:// tbi-tw.com e-mail : tb6688@ms46.hinet.net

REVISIONS

REV	SYM	DRAFTER	CHECKER	DATE
△3		T.S.LII	W.H.HSU	11/04/03
△4		T.S.LII	W.H.HSU	07/24/06
△5		T.S.LII	W.H.HSU	02/27/07



DWG NO. RM8-12P-TH-A-1-2S

PART NO.	MATERIAL (BOBBIN)	MATERIAL (TERMINAL)	TERMINAL (PLATING)	PIN ALLOCATION	NOTE
TBI-208-05012.106	PM-9630JT	C.P WIRE	Sn	ALL PIN , (A) = $\varnothing 0.6$ , (B) = $4.4 \pm 0.3$	
△3 TBI-208-05012.116	PM-9630JT	C.P WIRE	Sn	ALL PIN , (A) = $\varnothing 0.6$ , (B) = $5.5 \pm 0.3$	
△4 TBI-208-05012.126	PM-9630JT	C.P WIRE	Sn	CUT PIN #3,4,7,9,10 (A) = $\varnothing 0.6$ (B) = $5.0 \pm 0.2$	
TBI-208-05012.136	PM-9630JT	C.P WIRE	Sn	CUT PIN#3,4,5,6,7,8,9,10 (A) = $\varnothing 0.6$ (B) = $5.5 \pm 0.3$	
TBI-208-05012.146	PM-9630JT	C.P WIRE	Sn	CUT PIN#3,4,6,7,9,10 (A) = $\varnothing 0.6$ (B) = $4.4 \pm 0.3$	

TOLERANCE: .X±0.15 .XX±0.10 .XXX±0.05 UNIT : m / m SCALE 2 : 1

Finish: 1. Pb wire Immersion Sn on terminal : Thickness:Sn plating,100,5 μ m (200 μ inches) min,Base nickel 0.625 μ m (25 μ inches) min.  
 2. CP wire Immersion Sn on terminal : Thickness:Sn plating,100,5 μ m (200 μ inches) min.  
 3. Coplanarity deviation: 0.10 mm (0.004 inches) max.

REV 5