

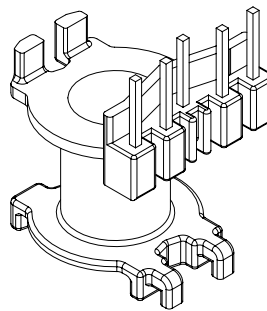
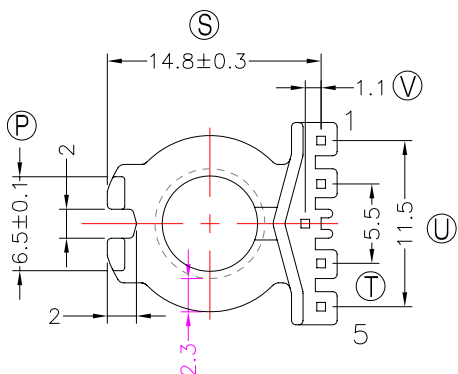
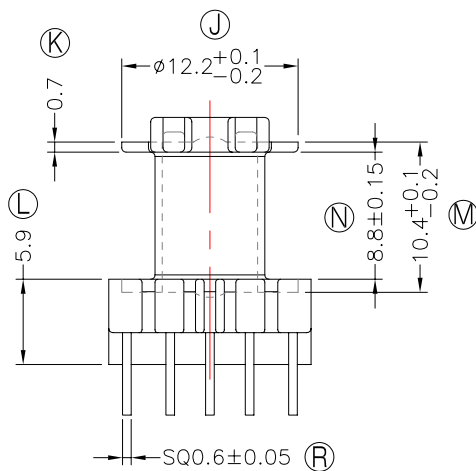
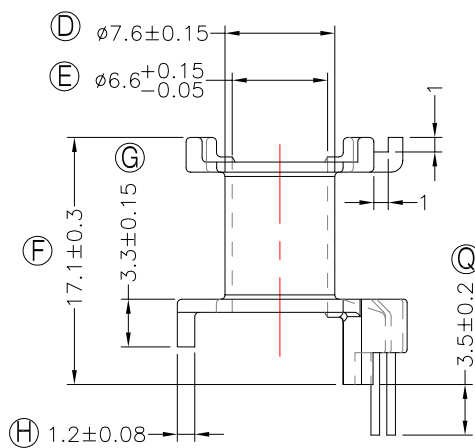
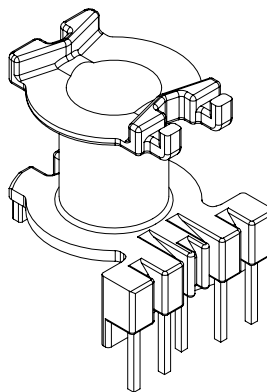
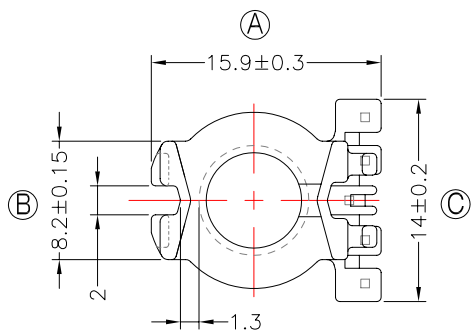


TRANSFORMER BOBBIN INDUSTRIAL CO.,LTD.

Tel : 86-769-88789999 Fax : 86-769-88789989
http:// tbi-tw.com e-mail : tb6688@ms46.hinet.net

REVISIONS

REV	SYM	DRAFTER	CHECKER	DATE
△1		X.H.GU	G.F.YANG	09/29/14
△2				
△3				



Winding Space=8.8*2.3=20.24mm²

與TBI-208-02191.12C(RM6-15.2G-CASE-A9-12)配套使用;

DWG NO.	RM6-15.2G-5P-TH-A9-12				
PART NO.	MATERIAL (BOBBIN)	MATERIAL (TERMINAL)	TERMINAL (PLATING)	PIN ALLOCATION	NOTE
TBI-208-02191.1206	PM-9820	CP WIRE	Sn	ALL PIN	S

	TOLERANCE: 0<L≤4:±0.1 4<L≤16:±0.2 16<L≤63:±0.3	UNIT : m / m	SCALE 1 : 1
Finish:	1. PB wire Immersion Sn on terminal : Thickness:Sn plating,100%,5μm (200μ inches) min,Base nickel 0.625μm (25μ inches) min. 2. CP wire Immersion Sn on terminal : Thickness:Sn plating,100%,5μm (200μ inches) min. 3. Coplanarity deviation: 0.10 mm (0.004 inches) max.	REV	1