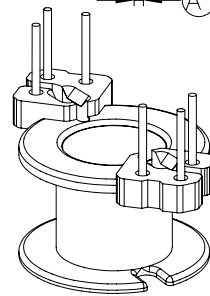
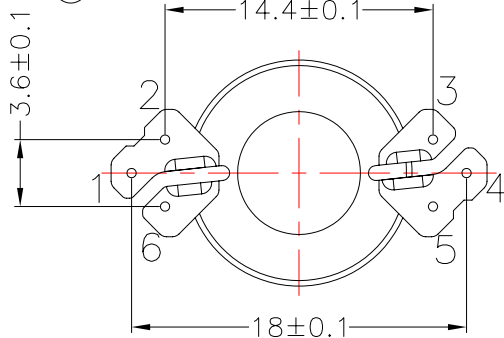
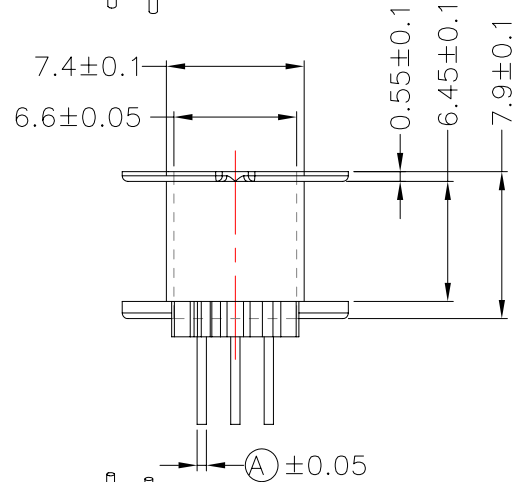
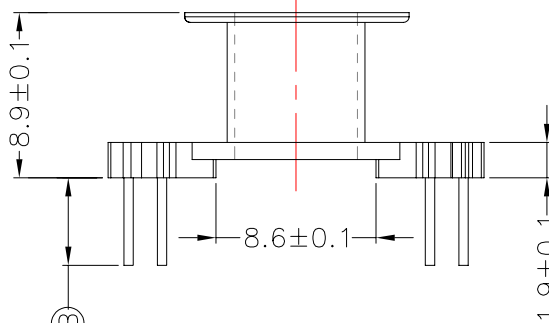
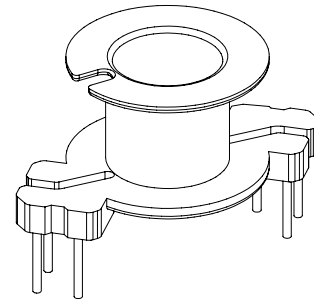
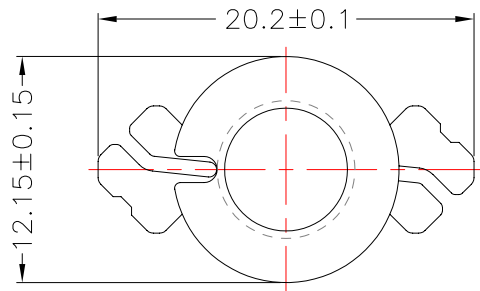




**TRANSFORMER BOBBIN INDUSTRIAL CO.,LTD.**

Tel : 86-769-88789999 Fax : 86-769-88789989  
 http:// tbi-tw.com e-mail : tb6688@ms46.hinet.net

REVISIONS				
REV	SYM	DRAFTER	CHECKER	DATE
△A		T.S.LII	W.H.HSU	06/02/03
△B		T.S.LII	W.H.HSU	07/21/06
△A		YAN.TANG	W.H.HSU	04/11/07



DWG NO. RM6-6P-TH-D-1

PART NO. MATERIAL (BOBBIN) MATERIAL (TERMINAL) TERMINAL (PLATING) PIN ALLOCATION NOTE

TBI-208-02041.106	PM-9630	CP WIRE	Sn	ALL PIN , (A) =SQ0.4 (B) =4.7±0.3	
TBI-208-02041.116	PM-9630	CP WIRE	Sn	ALL PIN , (A) =Φ 0.5 (B) =4.7±0.3	H
TBI-208-02041.126	PM-9630	CP WIRE	Sn	PIN CUT #1,4 , (A) = Φ 0.5 (B) =4.7±0.3	
△ TBI-208-02041.136	PM-9630	CP WIRE	Sn	ALL PIN , (A) = Φ 0.5 (B) =5.0±0.3	
△ TBI-208-02041.146	PM-9630	CP WIRE	Sn	CUT PIN #1, (A) =SQ0.4 (B) =4.7±0.3	
△ TBI-208-02041.156	PM-9630	CP WIRE	Sn	CUT PIN #1,4 , (A) =SQ0.4 (B) =4.7±0.3	
TBI-208-02041.166	PM-9630	CP WIRE	Sn	CUT PIN#6 (A) =Φ 0.5 (B) =4.7±0.3	
TBI-208-02041.176	PM-9630	CP WIRE	Sn	CUT PIN #1,3,5 (A) =SQ0.4 (B) =4.7±0.3	
TBI-208-02041.186	PM-9630	CP WIRE	Sn	CUT PIN #1,4,5 (A) =SQ0.4 (B) =4.7±0.3	
TBI-208-02041.196	PM-9630	CP WIRE	Sn	CUT PIN#1, (A) =Φ 0.5 (B) =4.7±0.3	
TBI-208-02041.1A6	PM-9630	CP WIRE	Sn	CUT PIN#5 (A) = Φ 0.5 (B) =5.0±0.3	
TBI-208-02041.1B6	PM-9630	CP WIRE	Sn	ALL PIN (A) = Φ 0.5 (B) =6.0±0.3	
TBI-208-02041.1C6	PM-9630	CP WIRE	Sn	CUT PIN#5 (A) = Φ 0.5 (B) =6.0±0.3	
TBI-208-02041.1D6	PM-9630	CP WIRE	Sn	CUT PIN#6 (A) =Φ 0.5 (B) =5.0±0.3	

TOLERANCE: .X±0.15 .XX±0.10 .XXX±0.05 UNIT : m / m SCALE 1 : 1

Finish: 1. PB wire Immersion Sn on terminal : Thickness:Sn plating,100,5 μ m (200 μ inches) min,Base nickel 0.625 μ m (25 μ inches) min.  
 2. CP wire Immersion Sn on terminal : Thickness:Sn plating,100,5 μ m (200 μ inches) min.  
 3. Coplanarity deviation: 0.10 mm (0.004 inches )max.

REV 7