

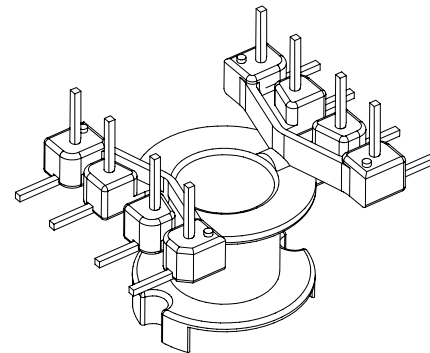
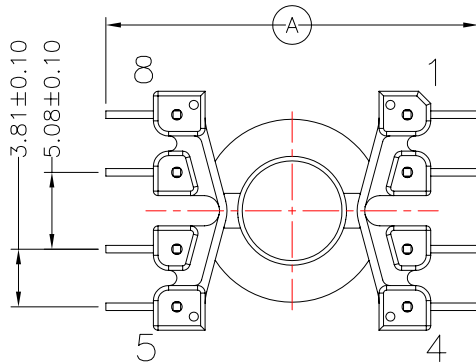
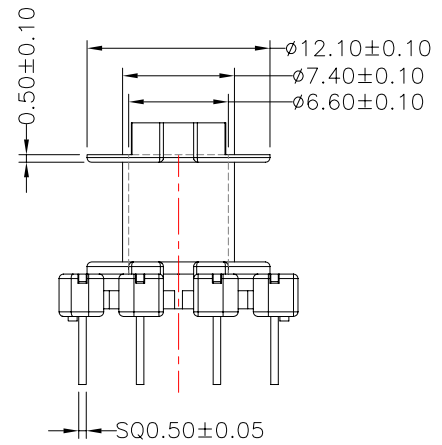
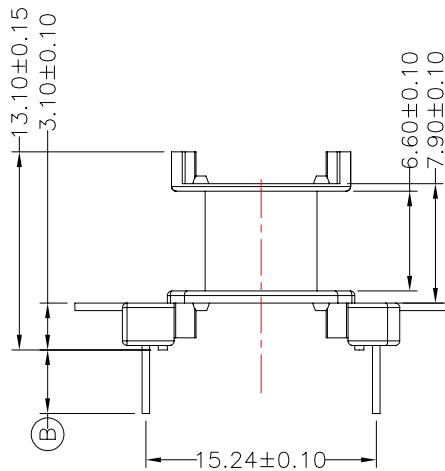
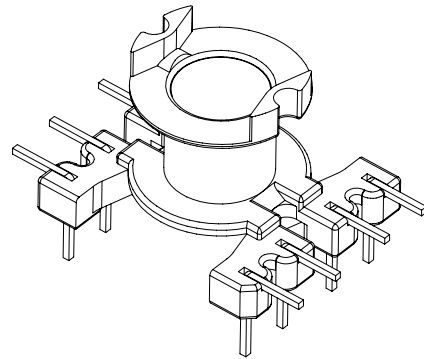
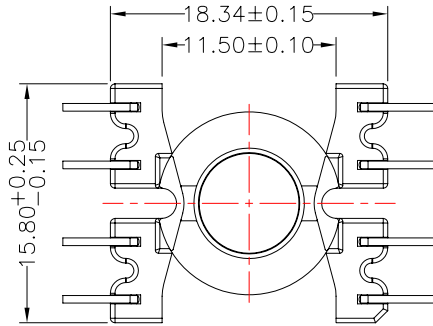


**TRANSFORMER BOBBIN
INDUSTRIAL CO.,LTD.**

Tel : 86-769-88789999 Fax : 86-769-88789989
http:// tbi-tw.com e-mail : tb6688@ms46.hinet.net

REVISIONS

REV	SYM	DRAFTER	CHECKER	DATE
△3		T.S.LII	W.H.HSU	06/02/03
△4		T.S.LII	W.H.HSU	07/24/06
△5		S.Y.TANG	W.H.HSU	04/23/07



NOTE:

1. PM9630 from SUMITOMO BAKELITE CO. UL file no. E41429.
2. this part is RoHS compliant.

DWG NO.	RM6-8P-TH-L-3.81-C-1			PIN ALLOCATION	NOTE
PART NO.	MATERIAL (BOBBIN)	MATERIAL (TERMINAL)	TERMINAL (PLATING)		
TBI-208-02031.106	PM-9630	CP WIRE	Sn	ALL PIN(A)=21.5±0.3(B)=4.0±0.3	△5
TBI-208-02031.116	PM-9630	CP WIRE	Sn	ALL PIN(A)=22.5±0.3(B)=4.2±0.3	H
△5 TBI-208-02031.126	PM-9630	CP WIRE	Sn	ALL PIN(A)=21.5±0.3(B)=4.4±0.3	
TOLERANCE: .X±0.15 .XX±0.10 .XXX±0.05 UNIT : m / m SCALE 2 : 1					
Finish: 1. PB wire Immersion Sn on terminal : Thickness:Sn plating,100,5 μm (200 μ inches) min,Base nickel 0.625 μm (25 μ inches) min. 2. CP wire Immersion Sn on terminal : Thickness:Sn plating,100,5 μm (200 μ inches) min. 3. Coplanarity deviation: 0.10 mm (0.004 inches)max.					REV 5