

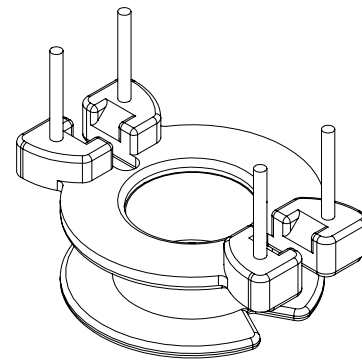
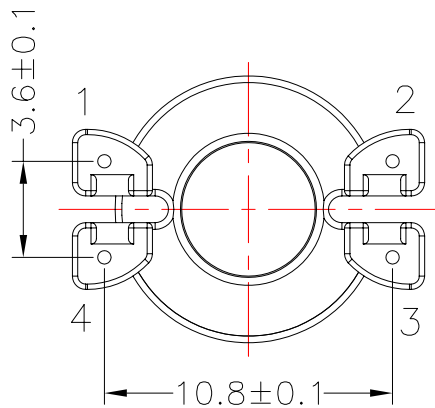
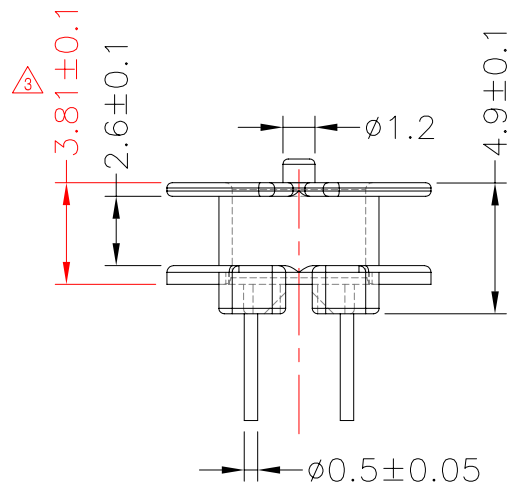
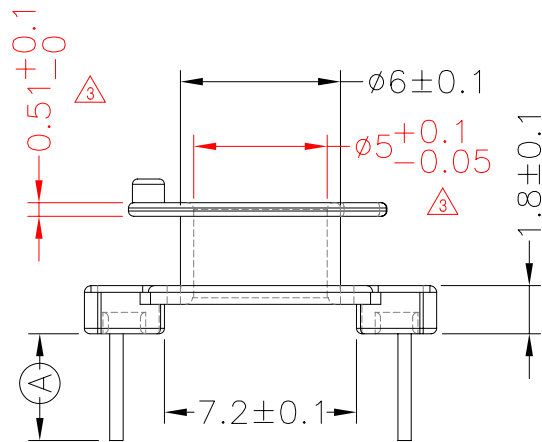
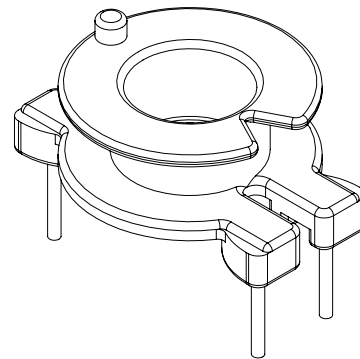
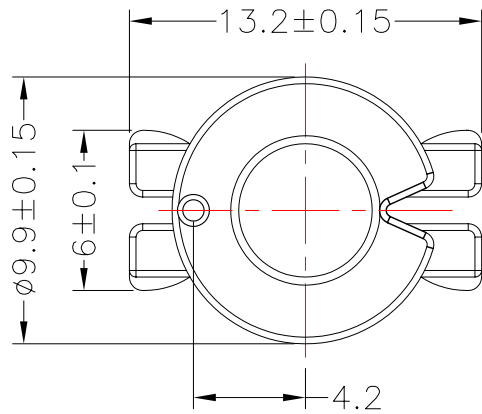


**TRANSFORMER BOBBIN
INDUSTRIAL CO.,LTD.**

Tel : 86-769-88789999 Fax : 86-769-88789989
http:// tbi-tw.com e-mail : tb6688@ms46.hinet.net

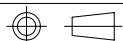
REVISIONS

REV	SYM	DRAFTER	CHECKER	DATE
①		YAN.TANG	G.F.YANG	01/23/10
②		G.F.YANG	W.H.HSU	04/06/10
③		YAN.TANG	G.F.YANG	11/19/10



DWG NO. RM5-4P-TH-D-11

PART NO.	MATERIAL (BOBBIN)	MATERIAL (TERMINAL)	TERMINAL (PLATING)	PIN ALLOCATION	NOTE
TBI-208-03041.1106	PM-9630	CP WIRE	Sn	ALL PIN (A)=4.0±0.2	S
TBI-208-03041.1116	PM-9630	CP WIRE	Sn	CUT PIN #3 (A)=5.0±0.2	H
TBI-208-03041.1126	PM-9630	CP WIRE	Sn	CUT PIN #4 (A)=5.0±0.2	



TOLERANCE: .X±0.15 .XX±0.10 .XXX±0.05

UNIT : m / m

SCALE 1 : 1

Finish: 1. PB wire Immersion Sn on terminal : Thickness:Sn plating,100,5 μm (200 μ inches) min,Base nickel 0.625 μm (25 μ inches) min.
2. CP wire Immersion Sn on terminal : Thickness:Sn plating,100,5 μm (200 μ inches) min.
3. Coplanarity deviation: 0.10 mm (0.004 inches) max.

REV 3