

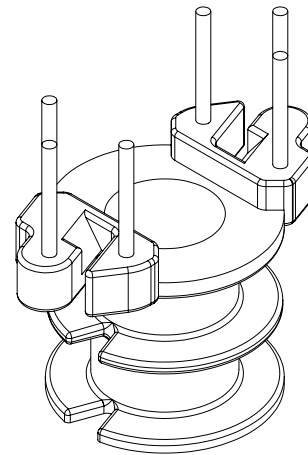
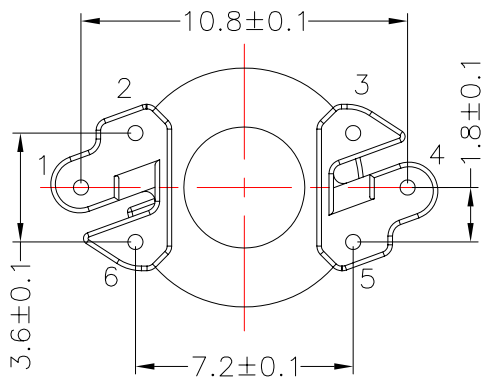
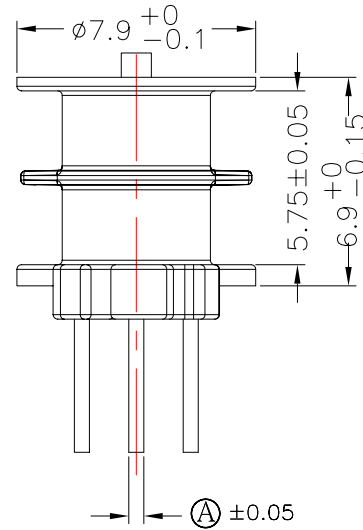
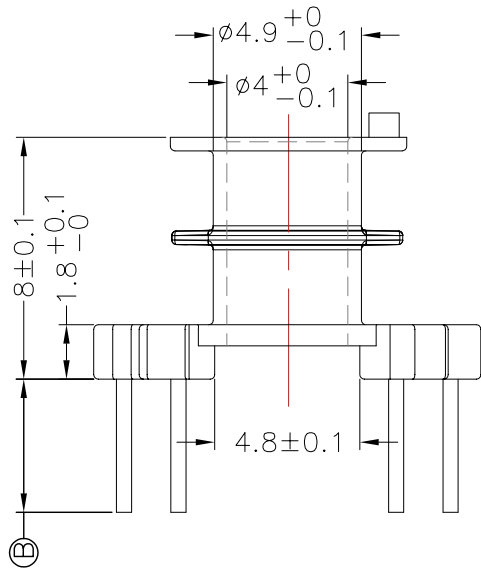
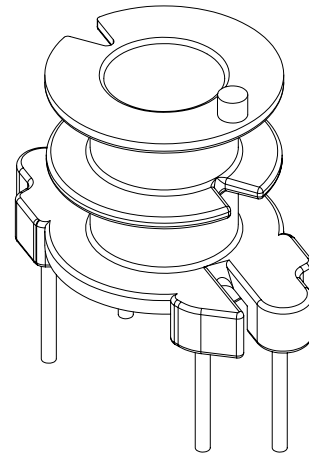
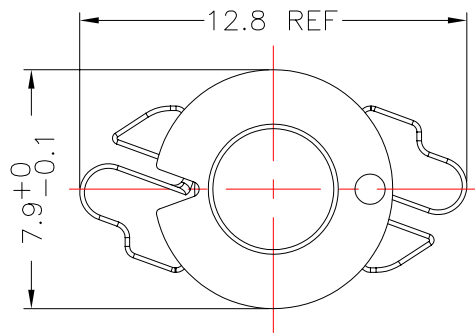


TRANSFORMER BOBBIN
INDUSTRIAL CO.,LTD.

Tel : 86-769-88789999 Fax : 86-769-88789989
http:// tbi-tw.com e-mail : tb6688@ms46.hinet.net

REVISIONS

REV	SYM	DRAFTER	CHECKER	DATE
△0		T.S.LII	W.H.HSU	07/22/06
△1		S.M.SHIH	S.M.SHIH	10/26/06
△2		S.Y.TANG	G.F.YANG	01/16/08



DWG NO. RM4-6P-TH-A-1-2S

PART NO.	MATERIAL (BOBBIN)	MATERIAL (TERMINAL)	TERMINAL (PLATING)	PIN ALLOCATION	NOTE
TBI-208-07012.106	PM-9630	C.P WIRE	Sn	ALL PIN , A=SQ0.4 B=4.4±0.3	
TBI-208-07012.116	PM-9630	C.P WIRE	Sn	Pin cut No 1,4 A=SQ0.4 B=4.4±0.3	
TBI-208-07012.126	PM-9630	C.P WIRE	Sn	Pin cut No.4 A=SQ0.4 B=4.4±0.3	
TBI-208-07012.136	PM-9630	C.P WIRE	Sn	Pin cut No 1,4 A=φ0.5 B=4.4±0.3	
△12 TBI-208-07012.146	PM-9630	C.P WIRE	Sn	Pin cut No 1,4 A=φ0.5 B=15±0.3	
F△12 TBI-208-07012.156	PM-9630	C.P WIRE	Sn	ALL PIN , A=φ0.5 B=4.4±0.3	

TOLERANCE: .X±0.15 .XX±0.10 .XXX±0.05 UNIT : m / m SCALE 4 : 1

Finish: 1. Pb wire Immersion Sn on terminal : Thickness:Sn plating,100,5 μm (200 μ inches) min,Base nickel 0.625 μm (25 μ inches) min.
2. CP wire Immersion Sn on terminal : Thickness:Sn plating,100,5 μm (200 μ inches) min.
3. Coplanarity deviation: 0.10 mm (0.004 inches) max.

REV 12