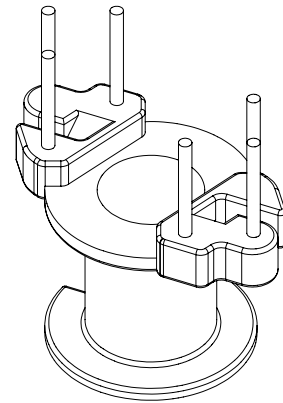
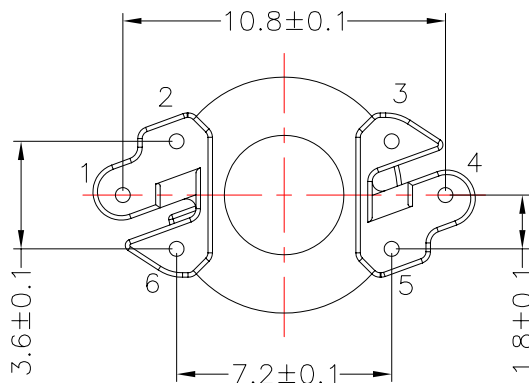
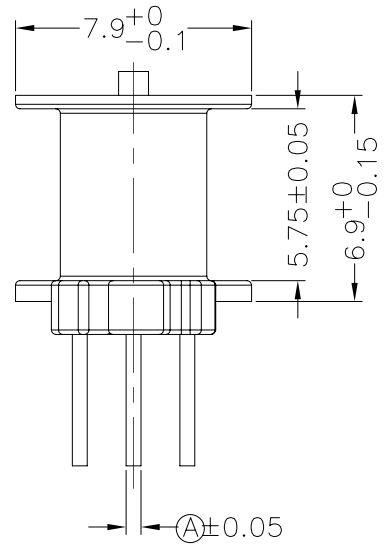
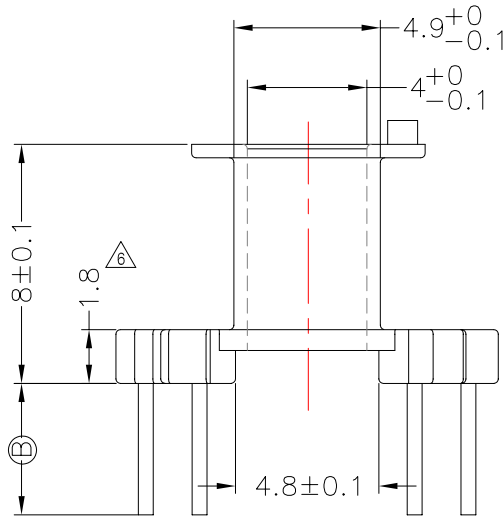
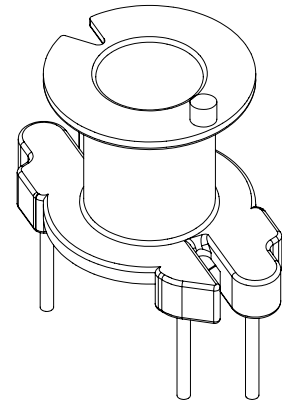
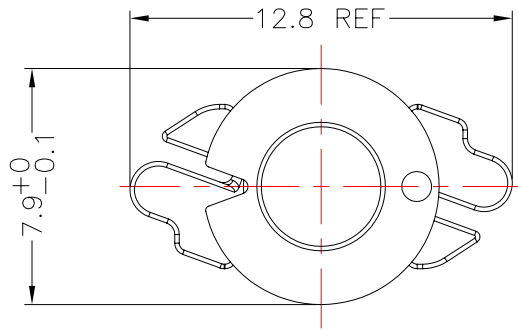




TRANSFORMER BOBBIN
INDUSTRIAL CO.,LTD.

Tel : 86-769-88789999 Fax : 86-769-88789989
http:// tbi-tw.com e-mail : tb6688@ms46.hinet.net

REVISIONS				
REV	SYM	DRAFTER	CHECKER	DATE
△4		T.S.LII	W.H.HSU	12/27/04
△5		T.S.LII	W.H.HSU	06/06/05
△6		T.S.LII	W.H.HSU	07/19/06



DWG NO.	RM4-6P-TH-A-1				
PART NO.	MATERIAL (BOBBIN)	MATERIAL (TERMINAL)	TERMINAL (PLATING)	PIN ALLOCATION	NOTE
TBI-208-07011.106	PM-9630	C.P WIRE	Sn	ALL PIN(A)=∅0.5(B)=4.4±0.3	
TBI-208-07011.116	PM-9630	C.P WIRE	Sn	No pin #1,4(A)=∅0.5(B)=4.4±0.3	H
TBI-208-07011.126	PM-9630	C.P WIRE	Sn	ALL PIN(A)=SQ0.4(B)=4.4±0.3	
TBI-208-07011.136	PM-9630	C.P WIRE	Sn	No pin #1,4(A)=SQ0.4(B)=4.4±0.3	
△6 TBI-208-07011.146	PM-9630	C.P WIRE	Sn	ALL PIN(A)=∅0.5(B)=3.8±0.2	
F△6 TBI-208-07011.156	PM-9630	C.P WIRE	Sn	ALL PIN(A)= SQ0.4(B)= 3.8±0.2	F
TBI-208-07011.166	PM-9630	C.P WIRE	Sn	NO PIN#4(A)=∅0.5(B)=3.8±0.2	
			TOLERANCE: .X±0.15 .XX±0.10 .XXX±0.05		UNIT : m / m
Finish: 1. Pb wire Immersion Sn on terminal : Thickness:Sn plating,100,5 μm (200 μ inches) min,Base nickel 0.625 μm (25 μ inches) min. 2. CP wire Immersion Sn on terminal : Thickness:Sn plating,100,5 μm (200 μ inches) min. 3. Coplanarity deviation: 0.10 mm (0.004 inches)max.					SCALE 1 : 1

REV	6
-----	---