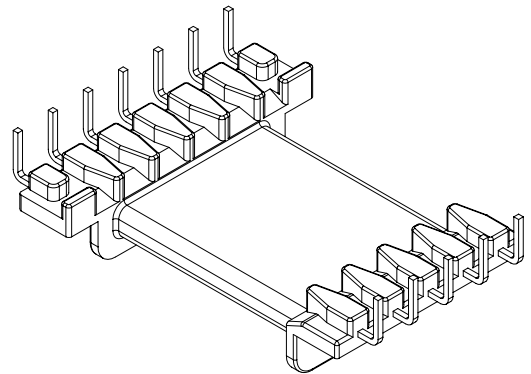
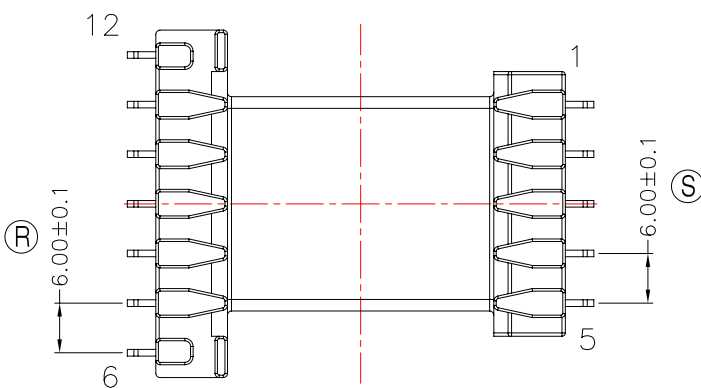
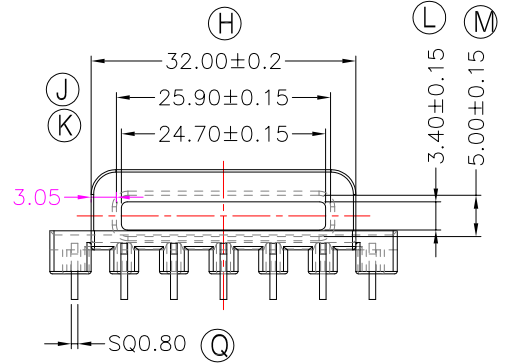
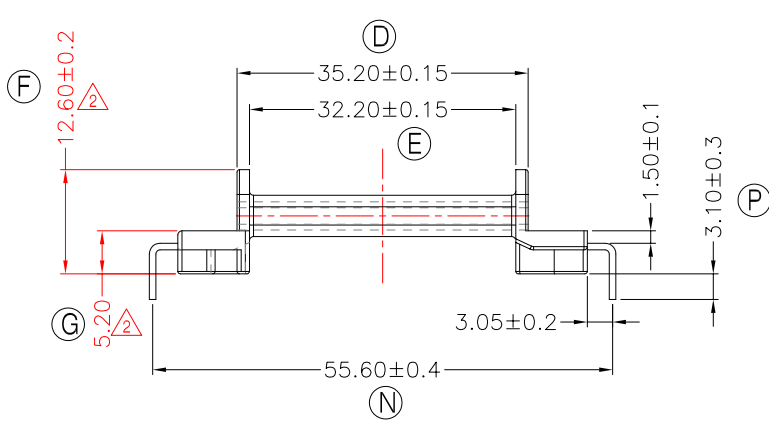
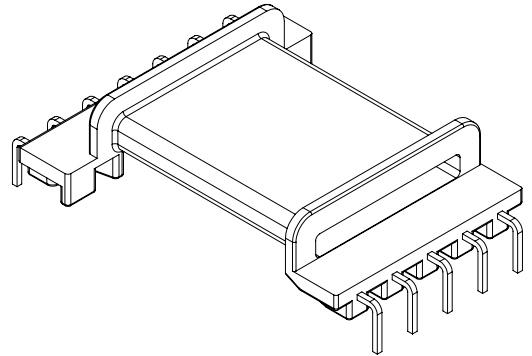
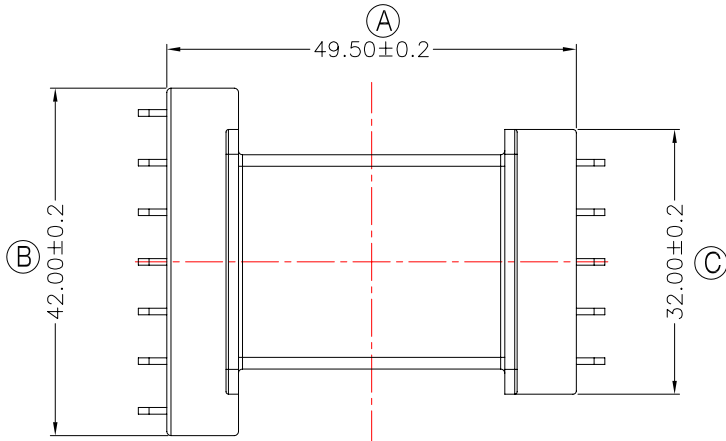




**TRANSFORMER BOBBIN INDUSTRIAL CO., LTD.**

Tel : 86-769-88789999 Fax : 86-769-88789989  
 http:// tbi-tw.com e-mail : tb6688@ms46.hinet.net

REVISIONS				
REV	SYM	DRAFTER	CHECKER	DATE
1		X.H.GU	G.F.YANG	11/20/10
2		X.X.YUAN	G.F.YANG	01/04/11
3				



WINDING SPACE: 32.2\*3.05mm=98.21mm<sup>2</sup>

DWG NO.	EFD45-49.4-12P-TL-2F-11				
PART NO.	MATERIAL (BOBBIN)	MATERIAL (TERMINAL)	TERMINAL (PLATING)	PIN ALLOCATION	NOTE
TBI-207-08261.1106	PM-9630	CP WIRE	Sn	ALL PIN	S
TOLERANCE: 0 <L <= 4: ±0.1 4 <L <= 16: ±0.2 16 <L <= 63: ±0.3			UNIT : m / m		SCALE 1 : 1

Finish: 1. PB wire Immersion Sn on terminal : Thickness:Sn plating,100,5  $\mu$ m (200  $\mu$  inches) min,Base nickel 0.625  $\mu$ m (25  $\mu$  inches) min.  
 2. CP wire Immersion Sn on terminal : Thickness:Sn plating,100,5  $\mu$ m (200  $\mu$  inches) min.  
 3. Coplanarity deviation: 0.10 mm (0.004 inches) max.

REV	2
-----	---