

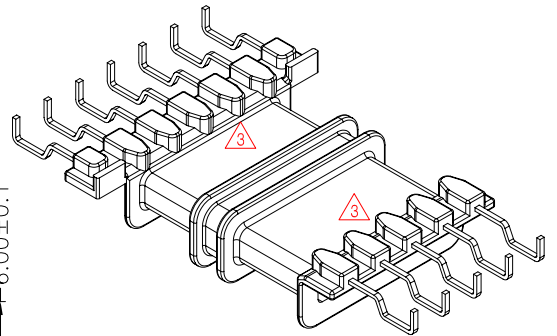
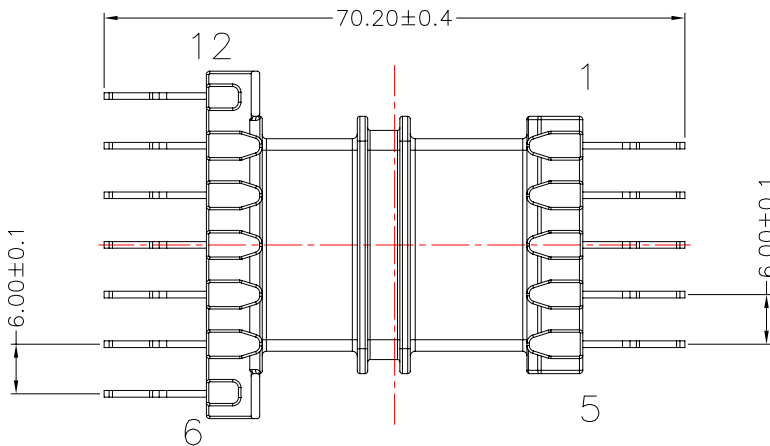
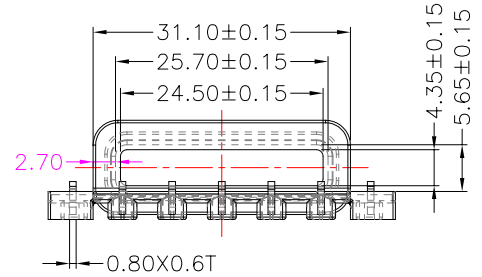
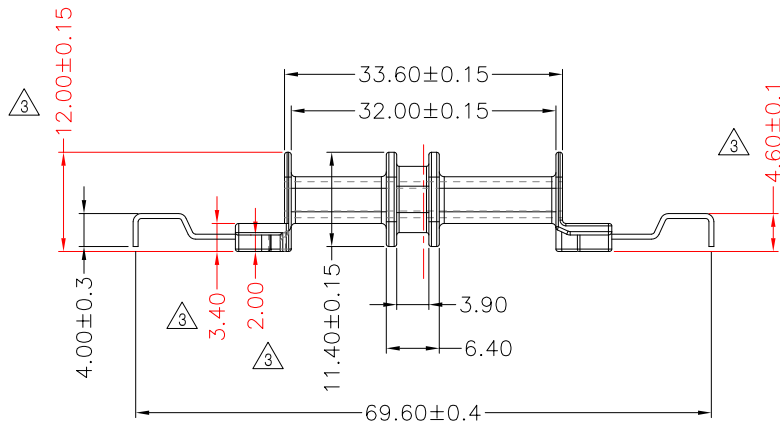
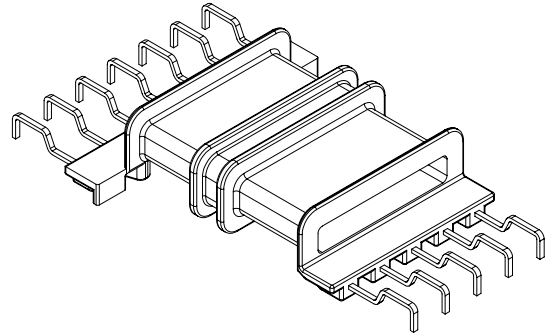
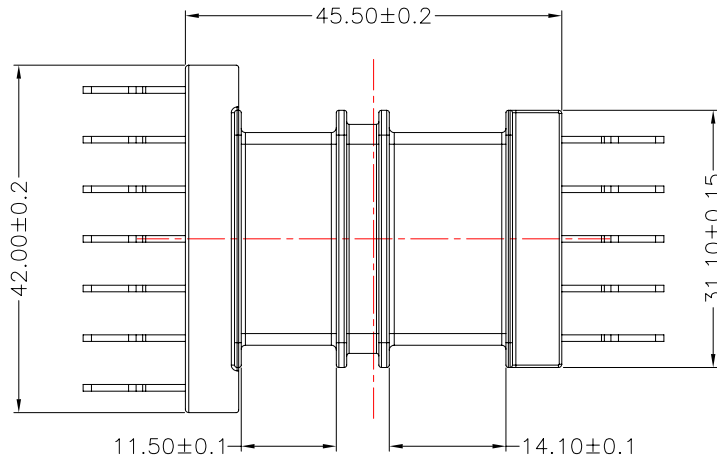


**TRANSFORMER BOBBIN
INDUSTRIAL CO.,LTD.**

Tel : 86-769-88789999 Fax : 86-769-88789989
 http:// tbi-tw.com e-mail : tb6688@ms46.hinet.net

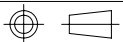
REVISIONS

REV	SYM	DRAFTER	CHECKER	DATE
①		G.F.YANG	W.H.HSU	03/24/10
②		X.H.GU	G.F.YANG	04/26/10
③		X.H.GU	G.F.YANG	05/12/10



NOTE:
 WINDING SPACE: $(11.5+14.1)*2.7mm=69.12mm^2$

DWG NO.	EFD45-49.4B-12P-THT-0J-11					
PART NO.	MATERIAL (BOBBIN)	MATERIAL (TERMINAL)	TERMINAL (PLATING)	PIN ALLOCATION	NOTE	
TBI-207-08091.1106	PM-9630	CP WIRE	Sn	ALL PIN		S
						H



TOLERANCE: .X±0.15 .XX±0.10 .XXX±0.05

UNIT : m / m

SCALE 1 : 1

Finish:
 1. PB wire Immersion Sn on terminal : Thickness:Sn plating,100,5 μm (200 μ inches) min,Base nickel 0.625 μm (25 μ inches) min.
 2. CP wire Immersion Sn on terminal : Thickness:Sn plating,100,5 μm (200 μ inches) min.
 3. Coplanarity deviation: 0.10 mm (0.004 inches) max.

REV 3