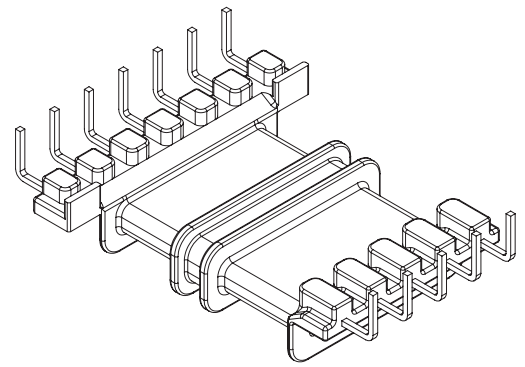
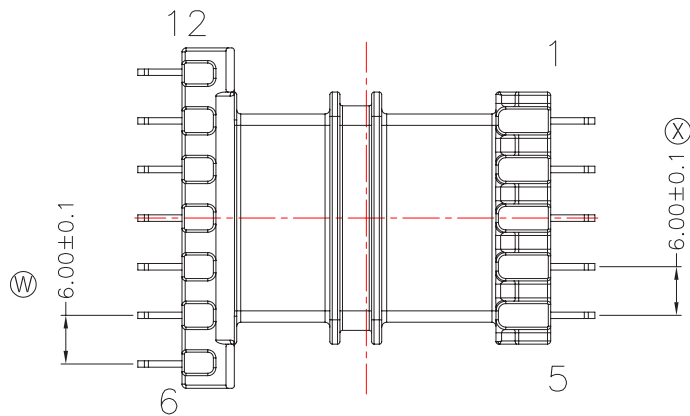
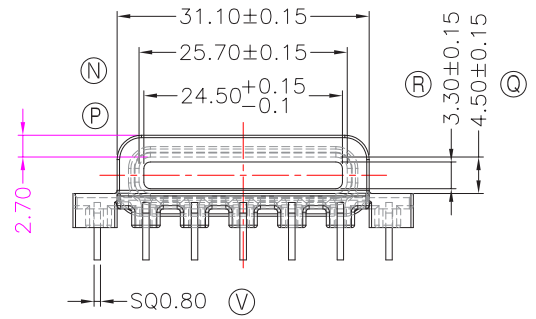
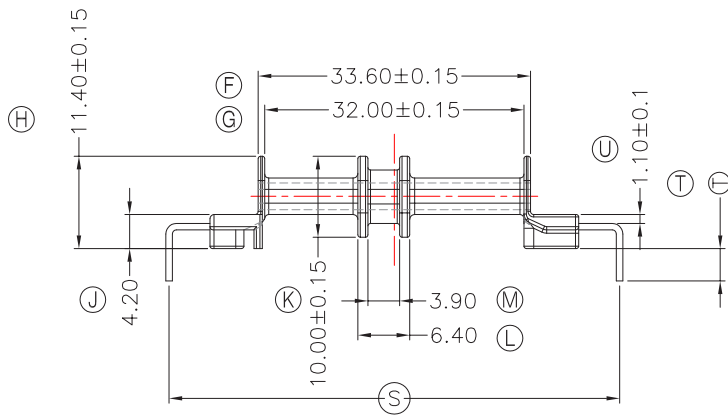
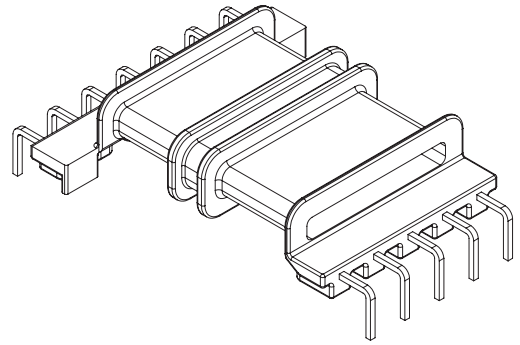
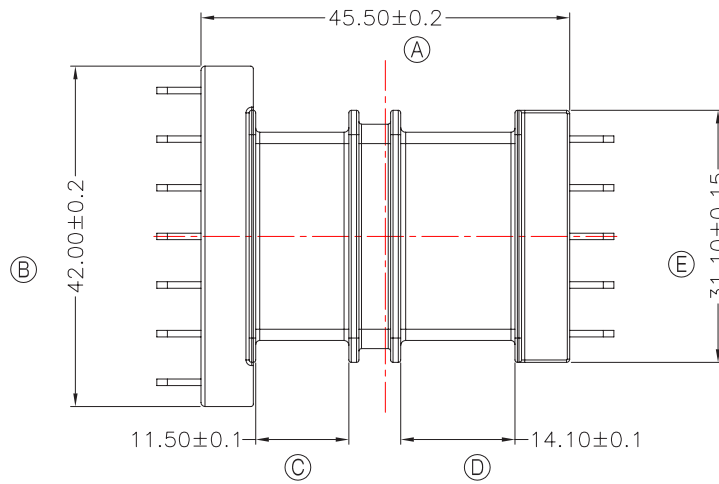




**TRANSFORMER BOBBIN
INDUSTRIAL CO.,LTD.**

Tel : 86-769-88789999 Fax : 86-769-88789989
http:// tbi-tw.com e-mail : tb6688@ms46.hinet.net

REVISIONS				
REV	SYM	DRAFTER	CHECKER	DATE
1		G.F.YANG	W.H.HSU	08/19/09
2				
3				



NOTE:
WINDING SPACE: $(11.5+14.1)*2.7\text{mm}=69.12\text{mm}^2$

DWG NO.	EFD45-49.4-12P-THT-0A-11				
PART NO.	MATERIAL (BOBBIN)	MATERIAL (TERMINAL)	TERMINAL (PLATING)	PIN ALLOCATION	NOTE
TBI-207-08011.1106	PM-9630	CP WIRE	Sn	ALL PIN $\text{S}=55.6\pm0.4$ $\text{T}=4.0\pm0.3$	S
TBI-207-08011.1116	PM-9630	CP WIRE	Sn	CUT PIN#2 $\text{S}=56.0\pm0.2$ $\text{T}=4.0\pm0.3$	H
TBI-207-08011.1126	PM-9630	CP WIRE	Sn	CUT PIN#1,2,4,10 $\text{S}=55.6\pm0.4$ $\text{T}=4.0\pm0.3$	
TBI-207-08011.1136	PM-9630	CP WIRE	Sn	ALL PIN $\text{S}=55.6\pm0.4$ $\text{T}=3.5\pm0.3$	
TBI-207-08011.1146	PM-9630	CP WIRE	Sn	CUT PIN#1,2,4 $\text{S}=56.0\pm0.2$ $\text{T}=4.0\pm0.3$	
TBI-207-08011.1156	PM-9630	CP WIRE	Sn	CUT PIN#1,3,4 $\text{S}=55.6\pm0.4$ $\text{T}=4.0\pm0.3$	
TBI-207-08011.1166	PM-9630	CP WIRE	Sn	ALL PIN $\text{S}=56.0\pm0.4$ $\text{T}=3.5\pm0.3$	
	TOLERANCE: .X \pm 0.15 .XX \pm 0.10 .XXX \pm 0.05			UNIT : m / m	SCALE 1 : 1

Finish: 1. PB wire Immersion Sn on terminal : Thickness:Sn plating,100,5 μm (200 μ inches) min,Base nickel 0.625 μm (25 μ inches) min.
2. CP wire Immersion Sn on terminal : Thickness:Sn plating,100,5 μm (200 μ inches) min.
3. Coplanarity deviation: 0.10 mm (0.004 inches)max.

REV 1