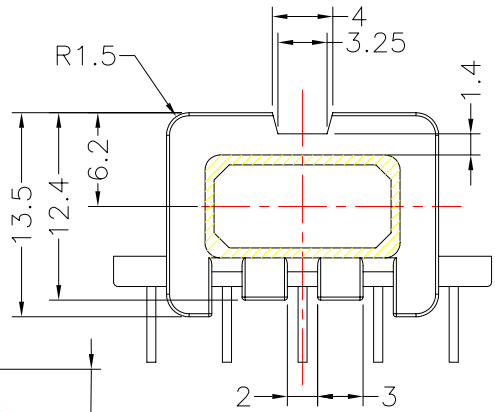
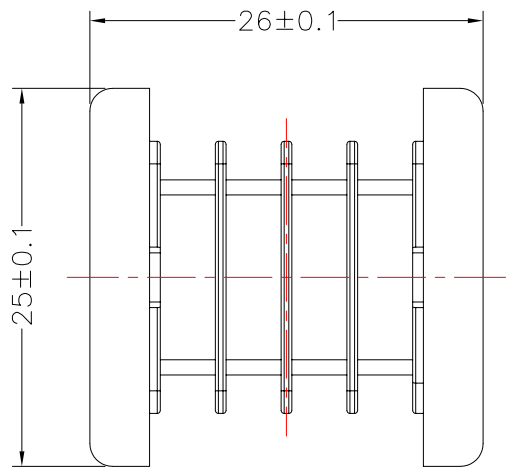




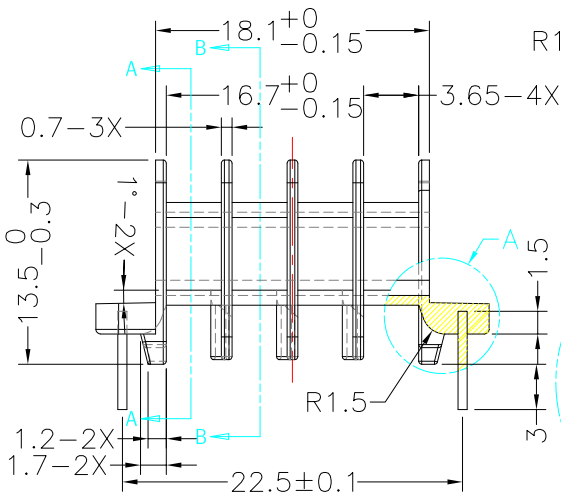
TRANSFORMER BOBBIN INDUSTRIAL CO.,LTD.

Tel : 86-769-88789999 Fax : 86-769-88789989
 http:// tbi-tw.com e-mail : tb6688@ms46.hinet.net

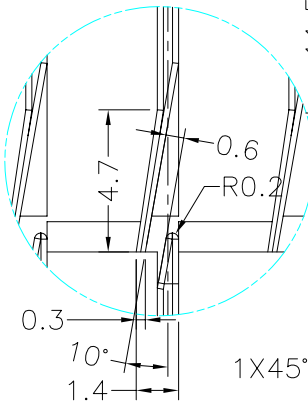
REVISIONS				
REV	SYM	DRAFTER	CHECKER	DATE
①		G.L.LEE	W.H.HSU	05/26/07
②				
③				



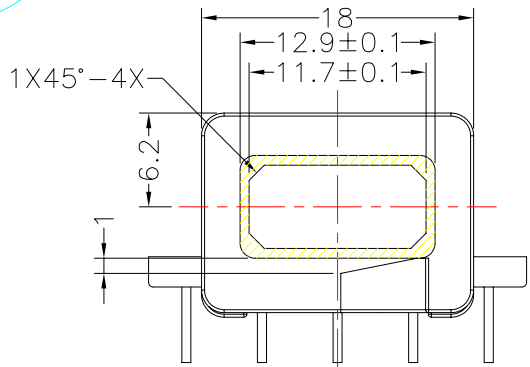
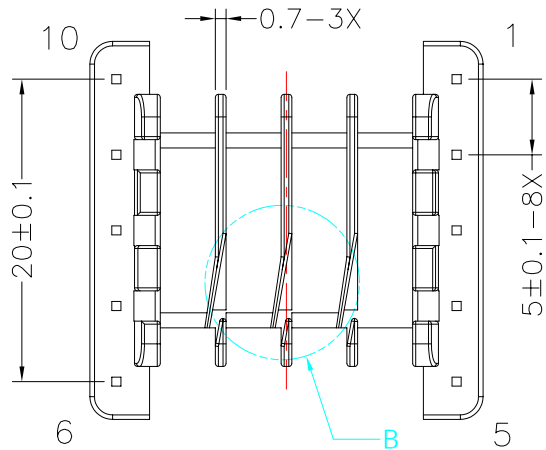
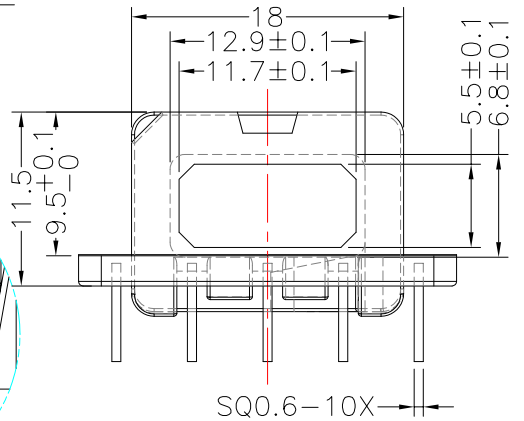
SECTION A-A



DETAIL A SCALE 4:1



DETAIL B SCALE 4:1



SECTION B-B

DWG NO.	EFD25-10P-TH-5.0-J-1-4S				
PART NO.	MATERIAL (BOBBIN)	MATERIAL (TERMINAL)	TERMINAL (PLATING)		NOTE
TBI-207-02094.106	PM9820	C.P WIRE	Sn	ALL PIN	
TBI-207-02094.116	PM9820	C.P WIRE	Sn	PIN CUT # 5,10	
	TOLERANCE: 0~6:±0.1 6~30:±0.20			UNIT : m / m	SCALE 2 : 1

Finish: 1. Pb wire Immersion Sn on terminal : Thickness:Sn plating,100,5 μm (200 μ inches) min,Base nickel 0.625 μm (25 μ inches) min.
 2. CP wire Immersion Sn on terminal : Thickness:Sn plating,100,5 μm (200 μ inches) min.
 3. Coplanarity deviation: 0.10 mm (0.004 inches) max.

REV 1