

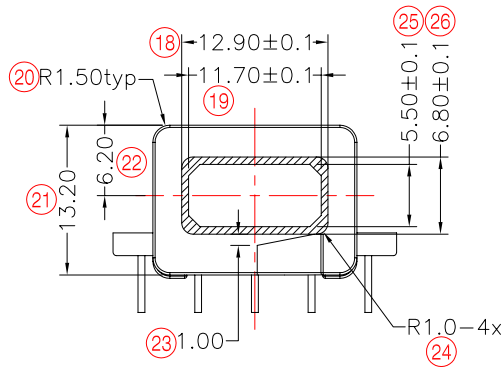
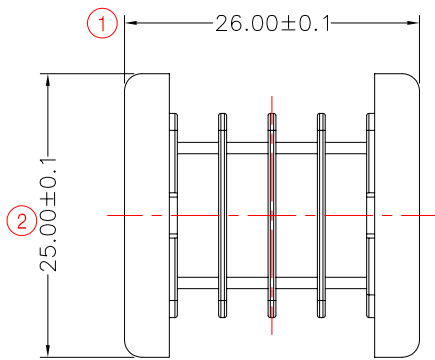


TRANSFORMER BOBBIN INDUSTRIAL CO.,LTD.

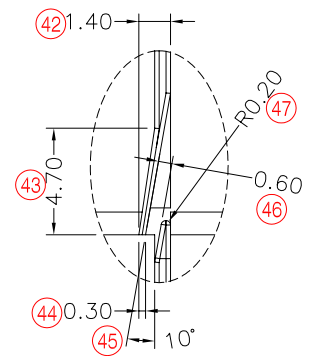
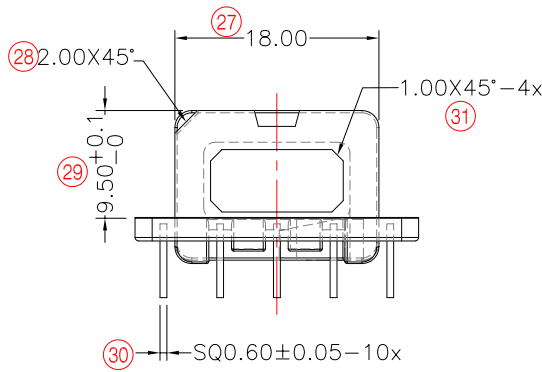
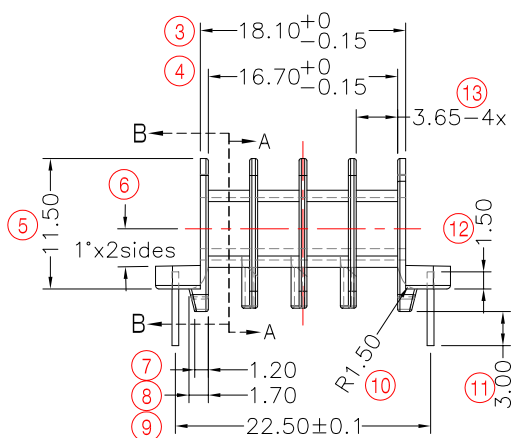
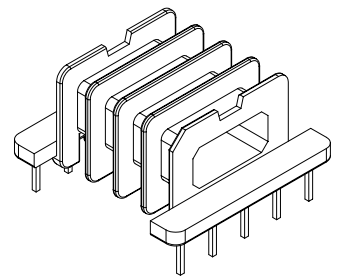
Tel : 86-769-88789999 Fax : 86-769-88789989
 http:// tbi-tw.com e-mail : tb6688@ms46.hinet.net

REVISIONS

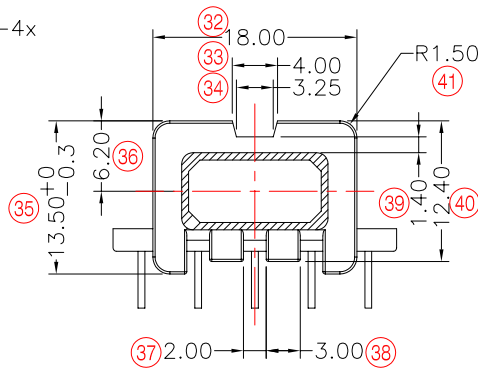
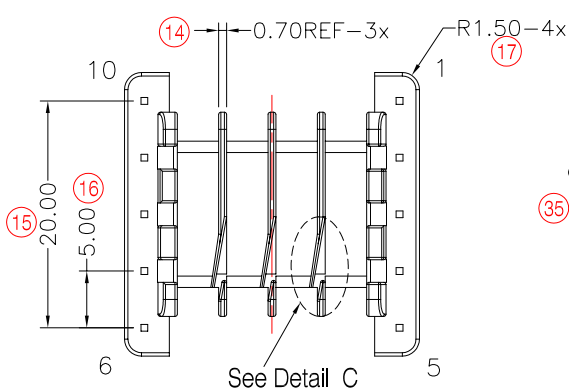
REV	SYM	DRAFTER	CHECKER	DATE
①		S.Y.TANG	G.F.YANG	03/08/08
②				
③				



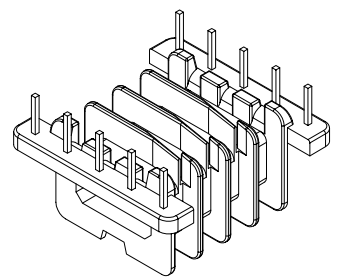
Section A-A



Detail C
Scale 3: 1



Section B-B



DWG NO. EFD25-10P-TH-5.0-J-12-4S

PART NO.	MATERIAL (BOBBIN)	MATERIAL (TERMINAL)	TERMINAL (PLATING)	PIN ALLOCATION	NOTE
TBI-207-02094.1206	PM-9820	C.P WIRE	Sn	ALL PIN	
TBI-207-02094.1216	PM-9820	C.P WIRE	Sn	PIN CUT # 5,10	

TOLERANCE: 0~6:±0.1 6~30:±0.20 UNIT : m / m SCALE 1.5 : 1

Finish: 1. Pb wire Immersion Sn on terminal : Thickness:Sn plating,100,5 μm (200 μ inches) min,Base nickel 0.625 μm (25 μ inches) min.

2. CP wire Immersion Sn on terminal : Thickness:Sn plating,100,5 μm (200 μ inches) min.

3. Coplanarity deviation: 0.10 mm (0.004 inches) max.

REV 1