

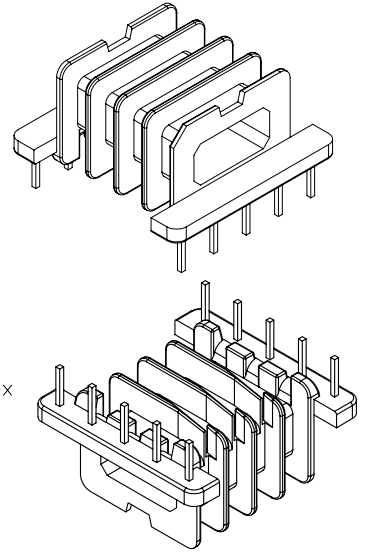
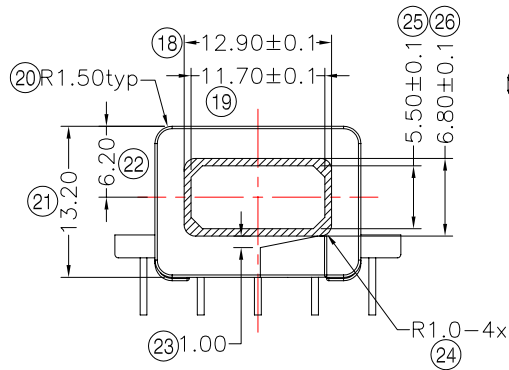
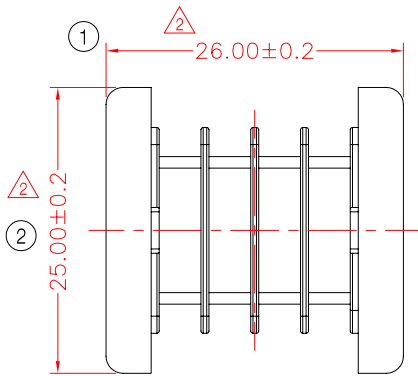


**TRANSFORMER BOBBIN
INDUSTRIAL CO.,LTD.**

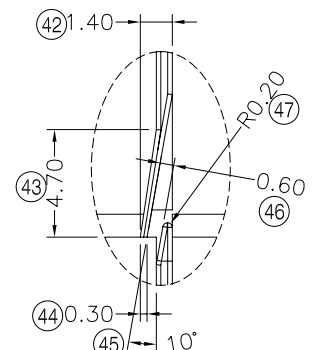
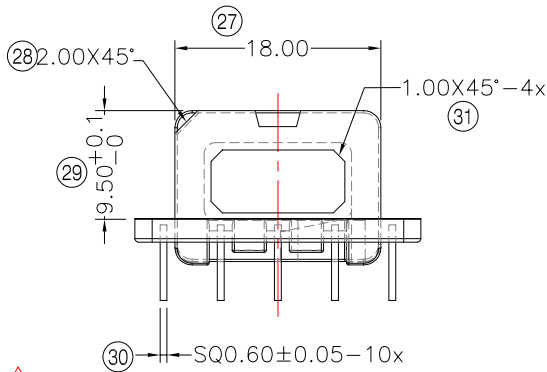
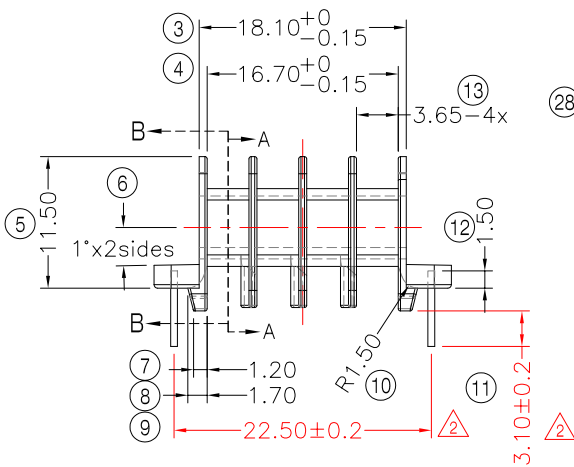
Tel : 86-769-88789999 Fax : 86-769-88789999
http:// tbi-tw.com e-mail : tb6688@ms46.hinet.net

REVISIONS

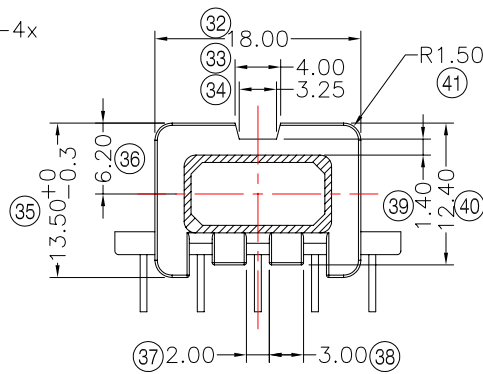
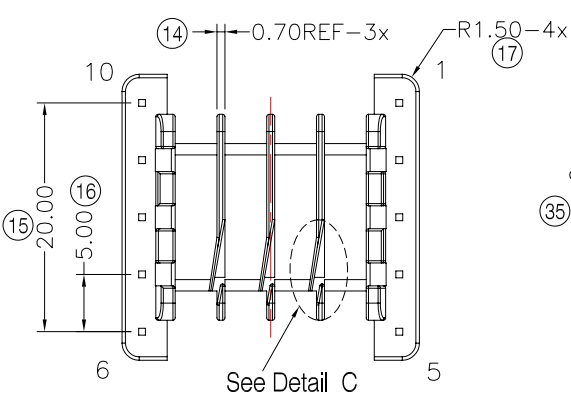
REV	SYM	DRAFTER	CHECKER	DATE
①		S.Y.TANG	G.F.YANG	03/08/08
②		G.F.YANG	W.H.HSU	01/08/14
③				



Section A-A



Detail C
Scale 3:1



Section B-B

General Tolerance

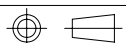
0 < L ≤ 1 :	±0.08
1 < L ≤ 3 :	±0.09
3 < L ≤ 6 :	±0.10
6 < L ≤ 10 :	±0.11
10 < L ≤ 15 :	±0.13
15 < L ≤ 22 :	±0.15
22 < L ≤ 30 :	±0.17
30 < L ≤ 40 :	±0.20
40 < L ≤ 53 :	±0.24
Angle :	± 1°

DWG NO. EFD25-10P-TH-5.0-J-11-4S

PART NO. MATERIAL (BOBBIN) MATERIAL (TERMINAL) TERMINAL (PLATING) PIN ALLOCATION NOTE

TBI-207-02094.1106 PM-9630 ② C.P WIRE Sn ALL PIN

TBI-207-02094.1116 PM-9630 ② C.P WIRE Sn PIN CUT # 5,10



UNIT : m / m

SCALE 1.5 : 1

Finish: 1. PB wire Immersion Sn on terminal : Thickness:Sn plating,100%,5 μm (200 μ inches) min,Base nickel 0.625 μm (25 μ inches) min.
2. CP wire Immersion Sn on terminal : Thickness:Sn plating,100%,5 μm (200 μ inches) min.
3. Coplanarity deviation: 0.10 mm (0.004 inches) max.

REV 2