

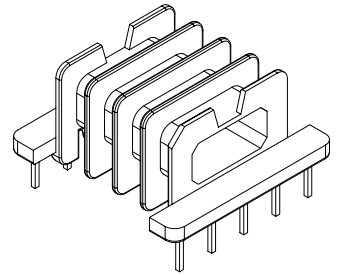
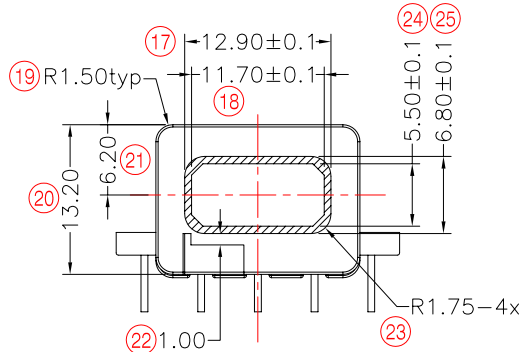
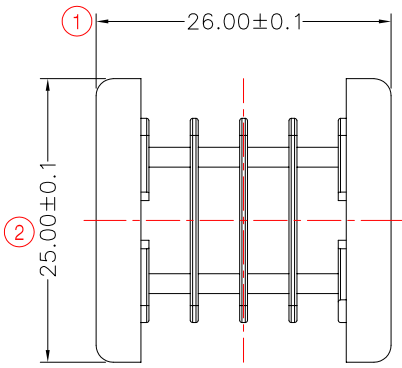


TRANSFORMER BOBBIN
INDUSTRIAL CO.,LTD.

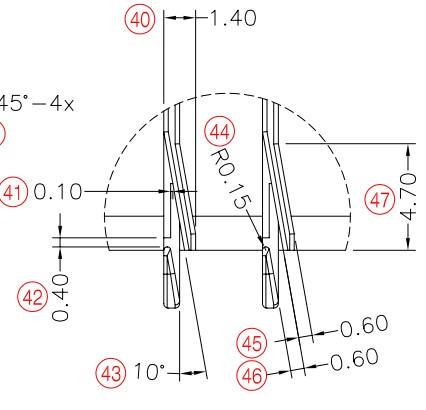
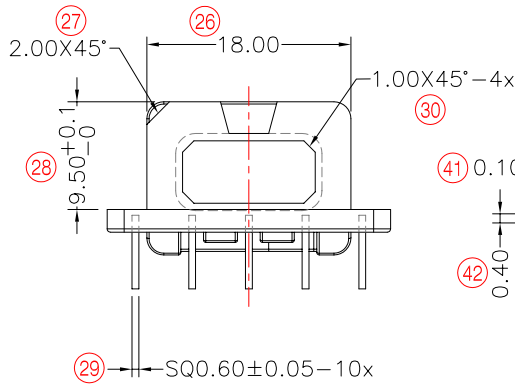
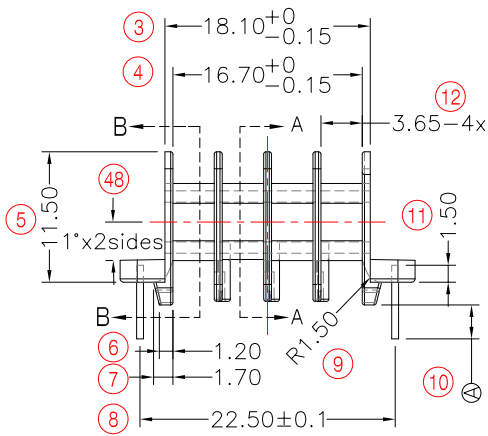
Tel : 86-769-88789999 Fax : 86-769-88789989
http:// tbi-tw.com e-mail : tb6688@ms46.hinet.net

REVISIONS

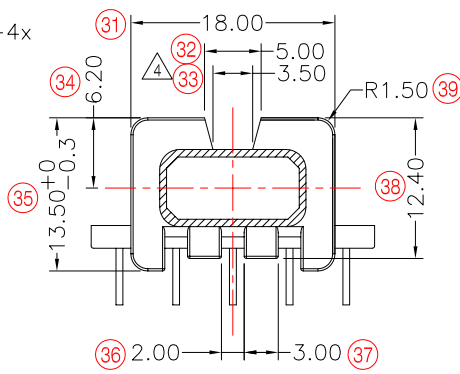
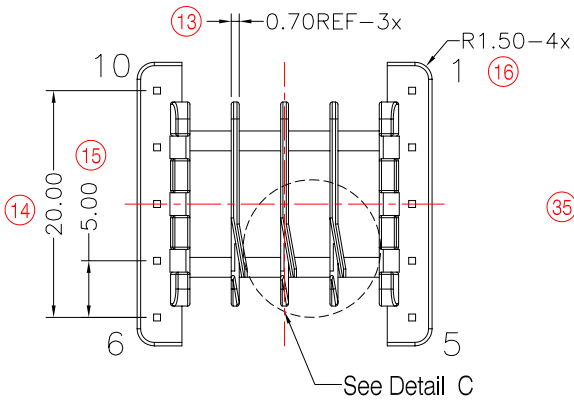
REV	SYM	DRAFTER	CHECKER	DATE
③		Y.G.HSU	W.H.HSU	02/10/07
④		X.H.GU	G.F.YANG	11/28/07
⑤		S.Y.TANG	G.F.YANG	12/03/07



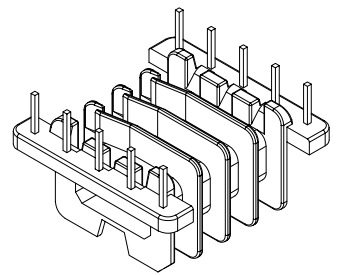
Section A-A



Detail C
Scale 3:1



Section B-B



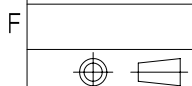
DWG NO. EFD25-10P-TH-5.0-D-76-4S ⑤

PART NO.	MATERIAL (BOBBIN)	MATERIAL (TERMINAL)	TERMINAL (PLATING)	PIN ALOCATION	NOTE
③ TBI-207-02044.7606	A3X2G7 ⑤	C.P WIRE	Sn	ALL PIN (A)=3.2±0.2	
③ TBI-207-02044.7616	A3X2G7 ⑤	C.P WIRE	Sn	PIN CUT # 5 (A)=3.2±0.2	
④ TBI-207-02044.7626	A3X2G7 ⑤	C.P WIRE	Sn	ALL PIN (A)=3.0±0.1	

③ TBI-207-02044.7606

③ TBI-207-02044.7616

④ TBI-207-02044.7626



TOLERANCE: 0~6:±0.1 6~30:±0.20

UNIT : m / m

SCALE 1.5 : 1

Finish: 1. Pb wire Immersion Sn on terminal : Thickness:Sn plating,100,5 μm (200 μ inches) min,Base nickel 0.625 μm (25 μ inches) min.
2. CP wire Immersion Sn on terminal : Thickness:Sn plating,100,5 μm (200 μ inches) min.
3. Coplanarity deviation: 0.10 mm (0.004 inches) max.

REV 5