

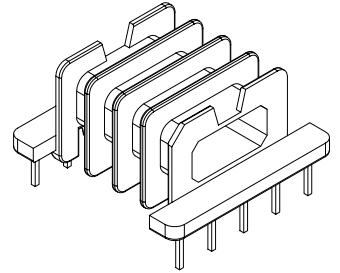
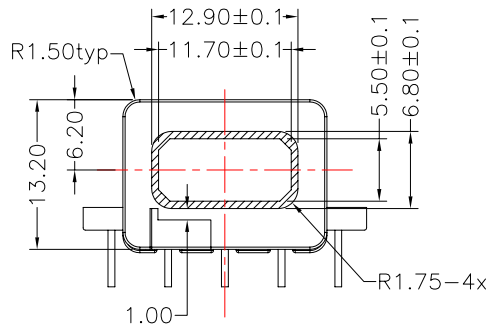
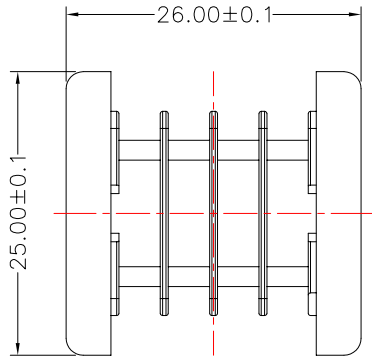


TRANSFORMER BOBBIN
INDUSTRIAL CO.,LTD.

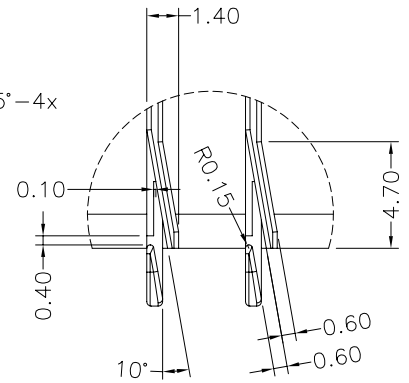
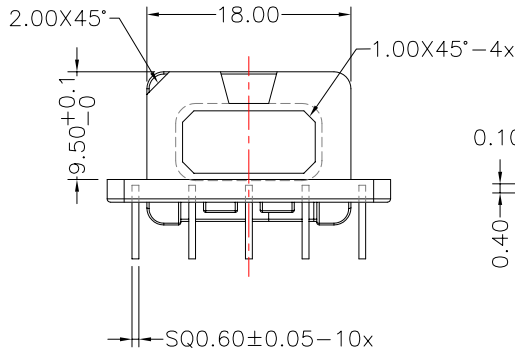
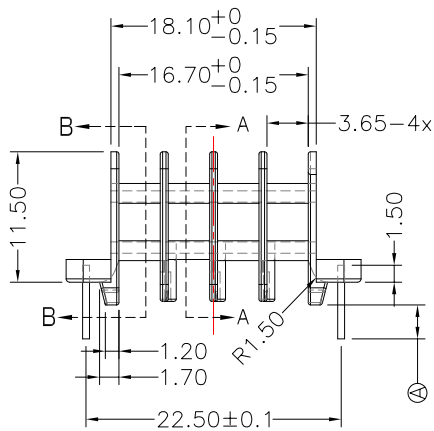
Tel : 86-769-88789999 Fax : 86-769-88789989
http:// tbi-tw.com e-mail : tb6688@ms46.hinet.net

REVISIONS

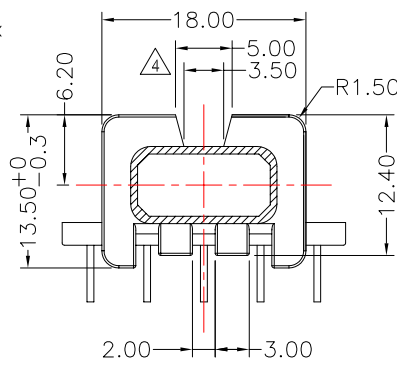
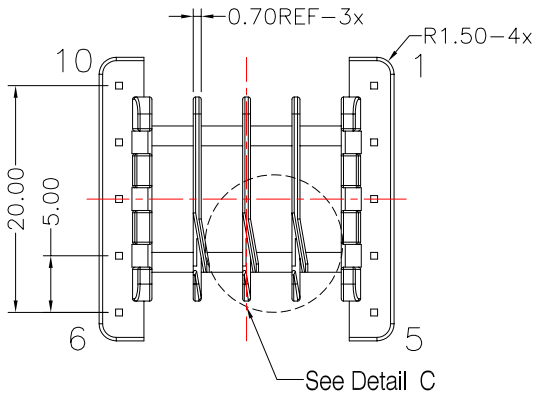
| REV | SYM | DRAFTER | CHECKER | DATE |
|-----|-----|---------|----------|----------|
| ② | | Y.G.HSU | W.H.HSU | 01/27/07 |
| ③ | | Y.G.HSU | W.H.HSU | 02/10/07 |
| ④ | | X.H.GU | G.F.YANG | 11/28/07 |



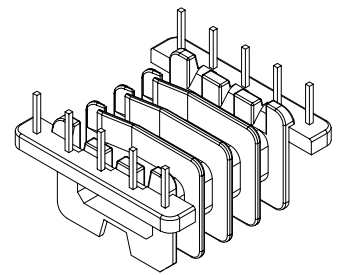
Section A-A



Detail C
Scale 3:1



Section B-B



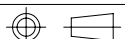
DWG NO. EFD25-10P-TH-5.0-D-1-4S ③

| PART NO. | MATERIAL (BOBBIN) | MATERIAL (TERMINAL) | TERMINAL (PLATING) | PIN ALOCATION | NOTE |
|----------|-------------------|---------------------|--------------------|---------------|------|
|----------|-------------------|---------------------|--------------------|---------------|------|

| | | | | | |
|---------------------|---------|----------|----|---------------------|--|
| ③ TBI-207-02044.106 | PM-9820 | C.P WIRE | Sn | ALL PIN (A)=3.2±0.2 | |
|---------------------|---------|----------|----|---------------------|--|

| | | | | | |
|---------------------|---------|----------|----|-------------------------|--|
| ③ TBI-207-02044.116 | PM-9820 | C.P WIRE | Sn | PIN CUT # 5 (A)=3.2±0.2 | |
|---------------------|---------|----------|----|-------------------------|--|

| | | | | | |
|---------------------|---------|----------|----|---------------------|--|
| ④ TBI-207-02044.126 | PM-9820 | C.P WIRE | Sn | ALL PIN (A)=3.0±0.1 | |
|---------------------|---------|----------|----|---------------------|--|



TOLERANCE: 0~6:±0.1 6~30:±0.20

UNIT : m / m

SCALE 1.5 : 1

Finish: 1. Pb wire Immersion Sn on terminal : Thickness:Sn plating,100,5 μm (200 μ inches) min,Base nickel 0.625 μm (25 μ inches) min.
2. CP wire Immersion Sn on terminal : Thickness:Sn plating,100,5 μm (200 μ inches) min.
3. Coplanarity deviation: 0.10 mm (0.004 inches) max.

REV 4