



TRANSFORMER BOBBIN
INDUSTRIAL CO.,LTD.

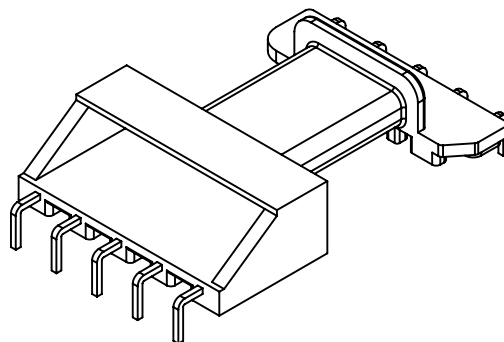
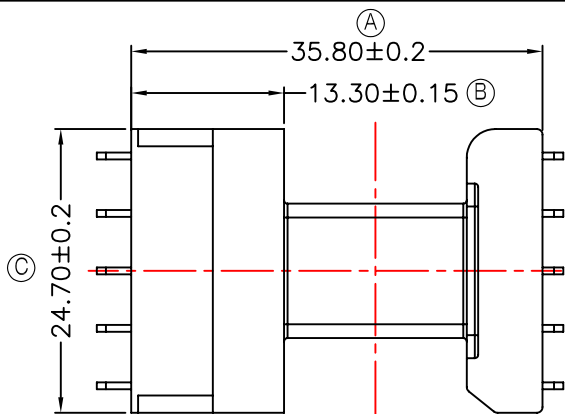
Tel : 86-769-88789999 Fax : 86-769-88789989
http:// tbi-tw.com e-mail : tb6688@ms46.hinet.net

REVISIONS

REV	SYM	DRAFTER	CHECKER	DATE
△1		X.H.GU	G.F.YANG	09/10/10
△2		YAN.TANG	G.F.YANG	11/04/10
△3				

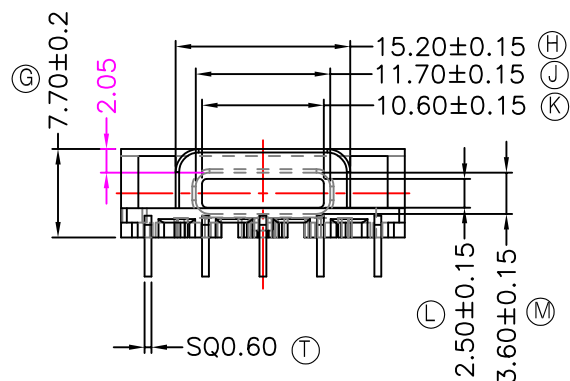
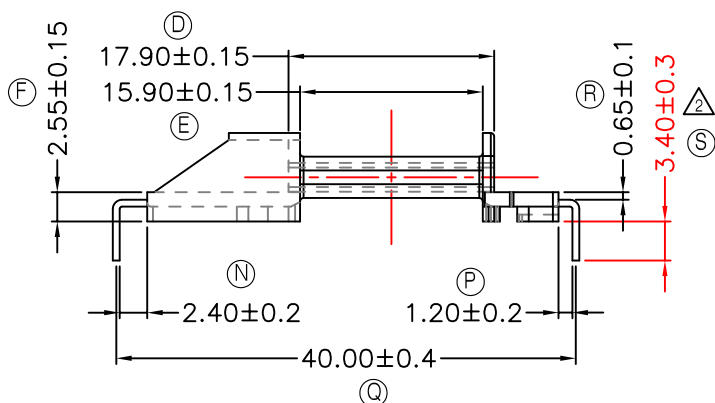
A

A



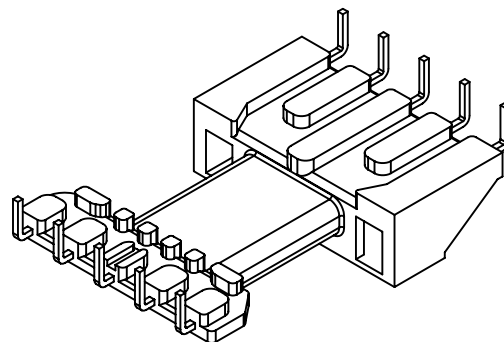
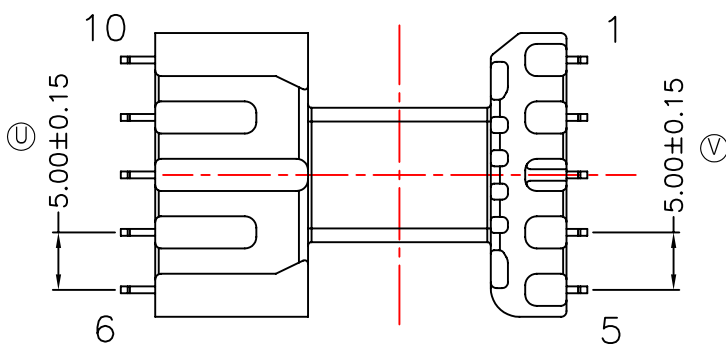
B

B



C

C



D

D

NOTE:

WINDING SPACE: $15.9 \times 1.75 \text{ mm} = 27.825 \text{ mm}^2$

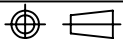
E

E

DWG NO.	EFD20.7-24.6-10P-THT-1E-12				
PART NO.	MATERIAL (BOBBIN)	MATERIAL (TERMINAL)	TERMINAL (PLATING)	PIN ALLOCATION	NOTE
TBI-207-01151.1206	PM-9820	CP WIRE	Sn	ALL PIN	S
TBI-207-01151.1216	PM-9820	CP WIRE	Sn	CUT PIN #8	H

F

F



TOLERANCE: $0 < L \leq 4 : \pm 0.1$ $4 < L \leq 16 : \pm 0.2$ $16 < L \leq 63 : \pm 0.3$

UNIT : m/m

SCALE 1 : 1

Finish: 1. PB wire Immersion Sn on terminal : Thickness:Sn plating, $100,5 \mu\text{m}$ ($200 \mu\text{ inches}$) min, Base nickel $0.625 \mu\text{m}$ ($25 \mu\text{ inches}$) min.
2. CP wire Immersion Sn on terminal : Thickness:Sn plating, $100,5 \mu\text{m}$ ($200 \mu\text{ inches}$) min.
3. Coplanarity deviation: 0.10 mm (0.004 inches) max.

REV 2