

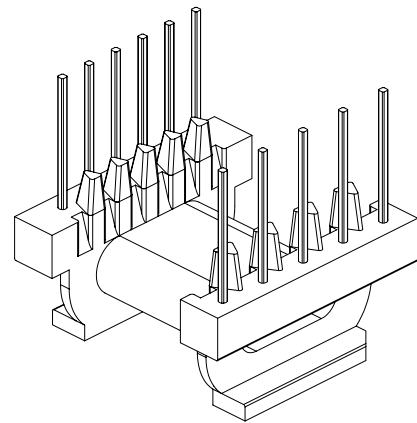
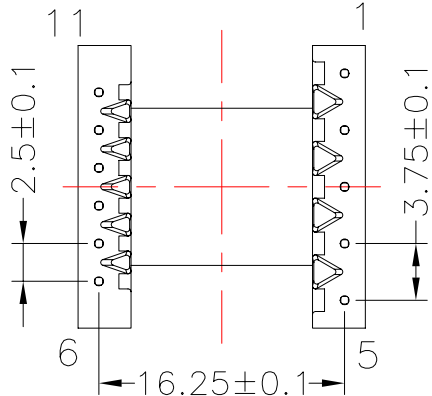
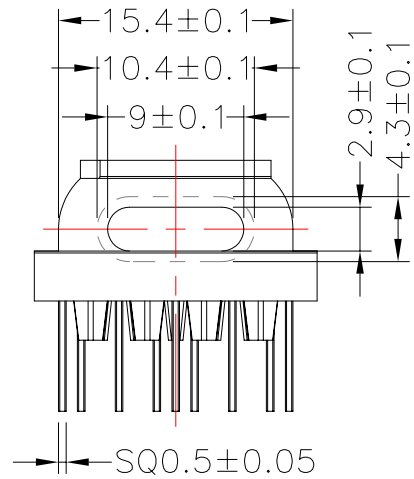
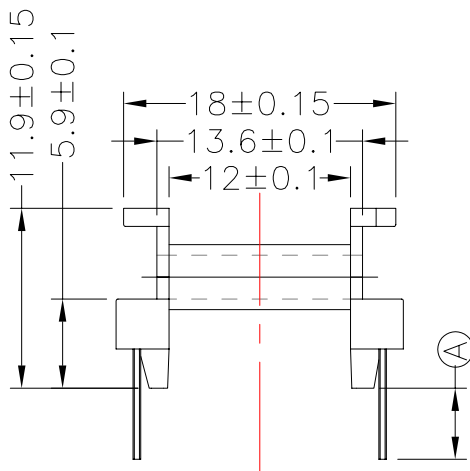
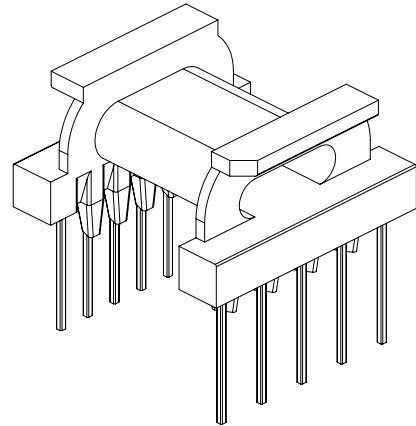
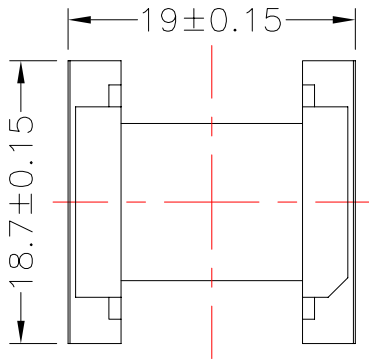


TRANSFORMER BOBBIN
INDUSTRIAL CO.,LTD.

Tel : 86-769-88789999 Fax : 86-769-88789989
http:// tbi-tw.com e-mail : tb6688@ms46.hinet.net

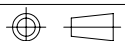
REVISIONS

REV	SYM	DRAFTER	CHECKER	DATE
2		T.S.LII	W.H.HSU	06/02/03
3		T.S.LII	W.H.HSU	12/16/03
4		T.S.LII	W.H.HSU	07/21/06



DWG NO. EPC19-11P-TH-2.5-A-1

PART NO.	MATERIAL (BOBBIN)	MATERIAL (TERMINAL)	TERMINAL (PLATING)	PIN ALLOCATION	NOTE
TBI-206-02011.106	PM-9630	CP WIRE	Sn	ALL PIN (A)=4.7±0.2	
TBI-206-02011.116	PM-9630	CP WIRE	Sn	ALL PIN (A)=3.2±0.2	無刀模
TBI-206-02011.126	PM-9630	CP WIRE	Sn	CUT PIN #4,8,9 (A)=3.2±0.2	無刀模
TBI-206-02011.136	PM-9630	CP WIRE	Sn	ALL PIN (A)=3.0±0.2	



TOLERANCE: .X±0.15 .XX±0.10 .XXX±0.05

UNIT : m / m

SCALE 2 : 1

Finish: 1. PB wire Immersion Sn on terminal : Thickness:Sn plating,100,5 μm (200 μ inches) min,Base nickel 0.625 μm (25 μ inches) min.
2. CP wire Immersion Sn on terminal : Thickness:Sn plating,100,5 μm (200 μ inches) min.
3. Coplanarity deviation: 0.10 mm (0.004 inches) max.

REV 4