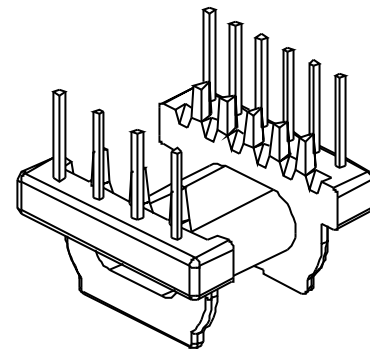
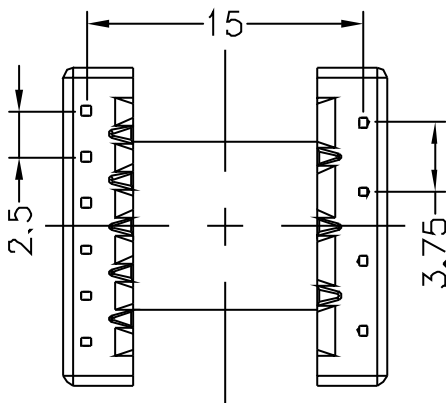
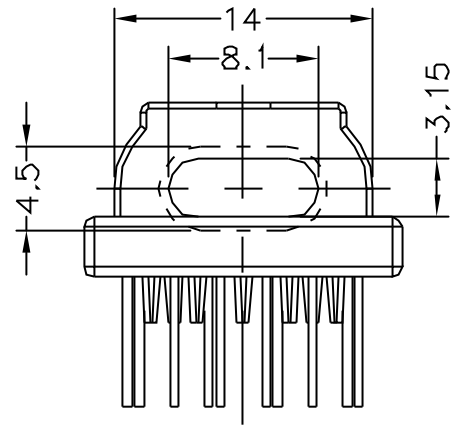
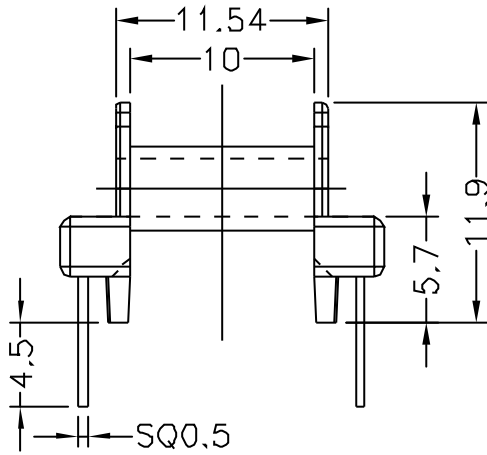
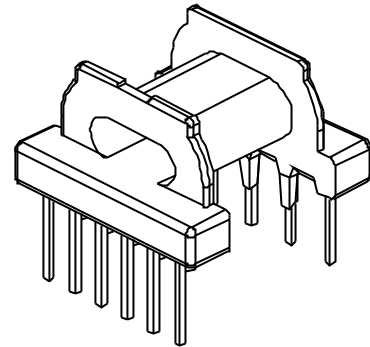
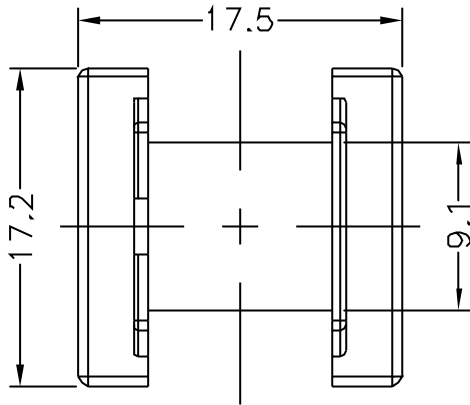


**TBI** TRANSFORMER BOBBIN INDUSTRIAL CO., LTD.

Phone 886-2-22925236 Fax 886-2-22925236  
E-MAIL: tbi886@ms45.hinet.net

REVISIONS

REV	SYM	DRAFTER	CHECKER	DATE
△		T.S.LII	W.H.HSU	12/08/00
△				
△				



PART NO. EPC17-10P-TH-2.5-A-1

DWG NO. TBI-206-01011.1XX

TBI NO. MATERIAL (BOBBIN) MATERIAL (TERMINAL) TERMINAL (PLATING)

206-01011.1XX

PM-9830

C.P.WIRE

Sn/Pb

PART NO.

REV

.101

MODE NO

ALL PIN

PIN LOCATION

Finish:

1. Immersion gold on terminal.  
Thickness gold 0.075 μm (3 μ inches) min.  
Base nickel 0.025 μm (25 μ inches) min.
2. Coplanarity deviation: 0.004 inches max.

TOLERANCE

X<sup>±</sup>  
X<sup>±</sup>

UNIT

mm

SCALE

2.5:1

REV

1