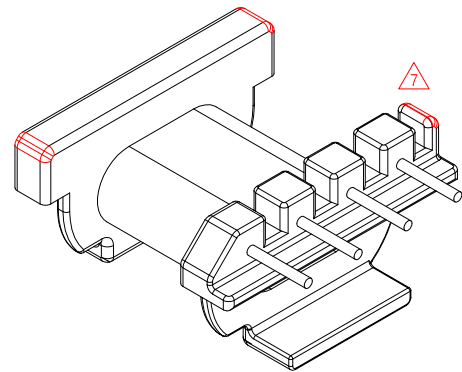
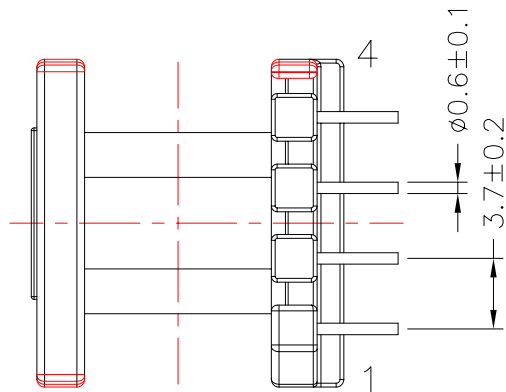
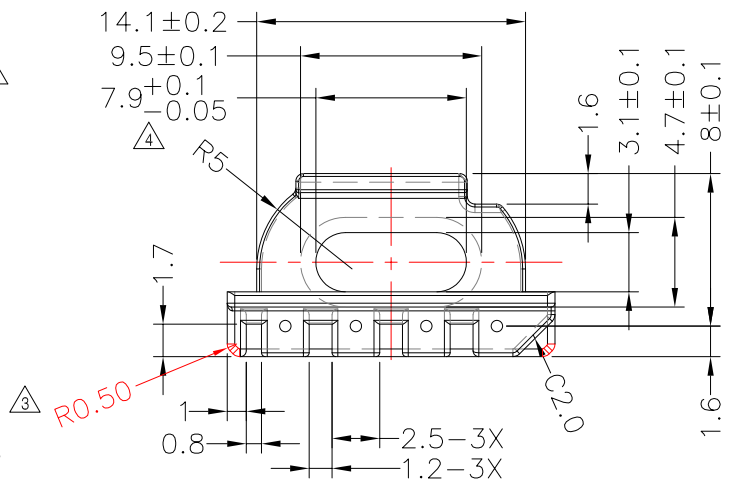
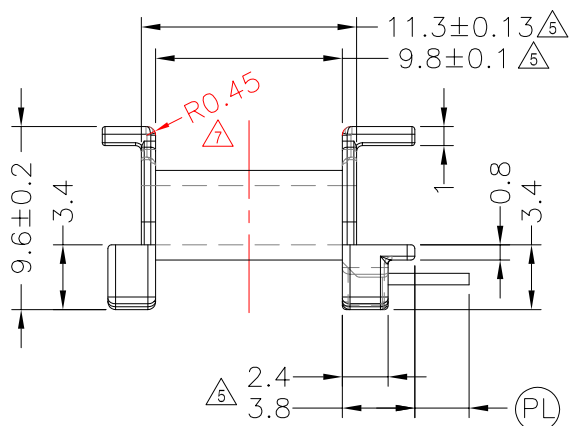
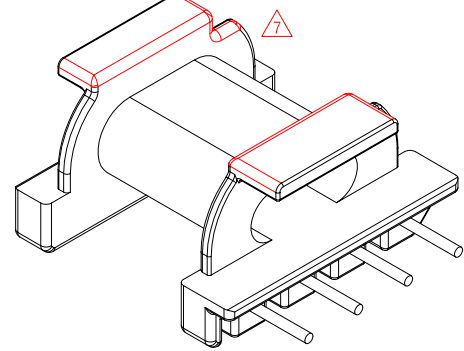
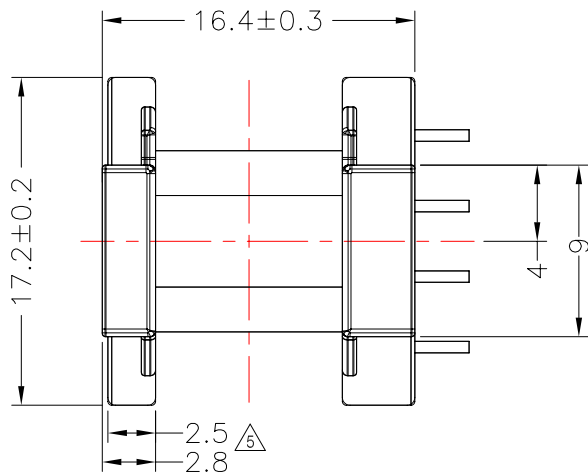




TRANSFORMER BOBBIN INDUSTRIAL CO.,LTD.

Tel : 86-769-88789999 Fax : 86-769-88789989
 http:// tbi-tw.com e-mail : tb6688@ms46.hinet.net

| REVISIONS | | | | |
|-----------|-----|----------|----------|----------|
| REV | SYM | DRAFTER | CHECKER | DATE |
| △5 | | YAN.TANG | G.F.YANG | 07/28/10 |
| △6 | | YAN.TANG | G.F.YANG | 10/13/10 |
| △7 | | X.H.GU | G.F.YANG | 12/04/10 |



NOTE:

1. 焊錫前拉力:1.0KG MIN, 焊錫後拉力:1.5KG MIN
2. 繞線區合模線0.05MAX.

| DWG NO. | EPC17-4P-TH-3.7-A-12 | | | | |
|--|----------------------|---------------------|--------------------|------------------------|-------------|
| PART NO. | MATERIAL (BOBBIN) | MATERIAL (TERMINAL) | TERMINAL (PLATING) | PIN ALLOCATION | NOTE |
| TBI-206-01011.1206 | PM-9820 | CP WIRE | Sn | ALL PIN(PL)=2.85+/-0.2 | S |
| TBI-206-01011.1216 | PM-9820 | CP WIRE | Sn | ALL PIN(PL)=4.0+/-0.2 | 暫無刀模 H |
| TBI-206-01011.1226 | PM-9820 | CP WIRE | Sn | ALL PIN(PL)=3.5+/-0.2 | 暫無刀模 |
| TBI-206-01011.1236 | PM-9820 | CP WIRE | Sn | ALL PIN(PL)=3.3+/-0.2 | 暫無刀模 |
| TBI-206-01011.1246 | PM-9820 | CP WIRE | Sn | ALL PIN(PL)=3.8+/-0.2 | 暫無刀模 |
| TBI-206-01011.1256 | PM-9820 | CP WIRE | Sn | ALL PIN(PL)=5.0+/-0.2 | 暫無刀模 |
| TOLERANCE: ±0.10 | | | UNIT : m / m | | SCALE 1 : 1 |
| Finish: 1. PB wire Immersion Sn on terminal : Thickness:Sn plating,100,5 μm (200 μ inches) min,Base nickel 0.625 μm (25 μ inches) min. 2. CP wire Immersion Sn on terminal : Thickness:Sn plating,100,5 μm (200 μ inches) min. 3. Coplanarity deviation: 0.10 mm (0.004 inches) max. | | | | | REV 7 |