

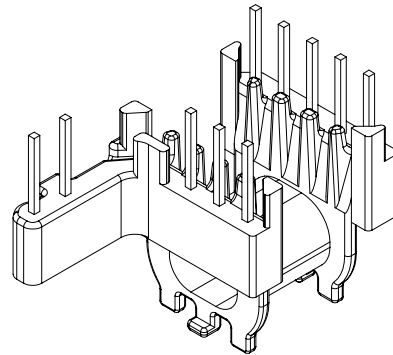
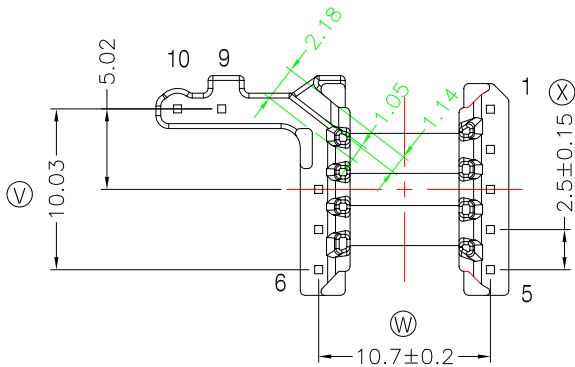
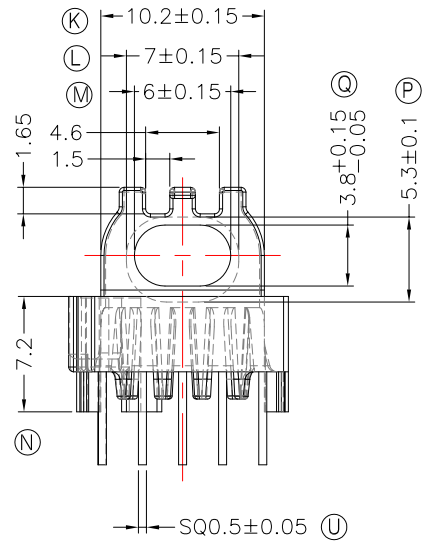
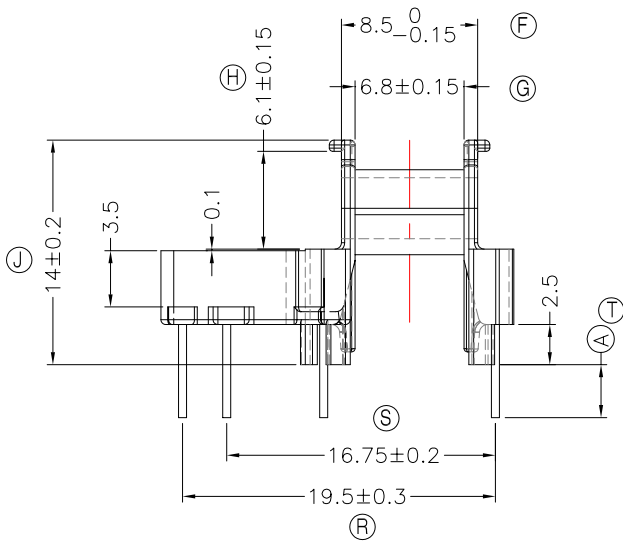
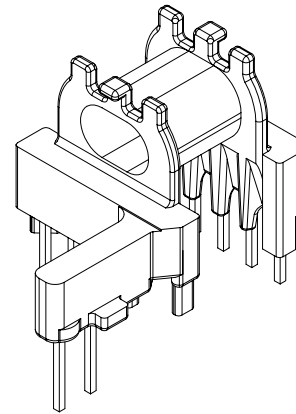
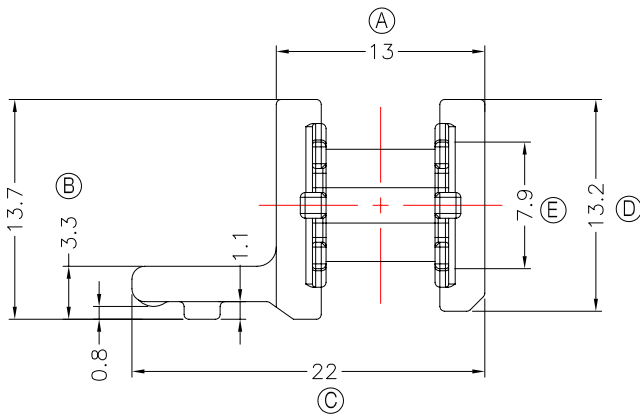


**TRANSFORMER BOBBIN
INDUSTRIAL CO.,LTD.**

Tel : 86-769-88789999 Fax : 86-769-88789999
 http:// tbi-tw.com e-mail : tb6688@ms46.hinet.net

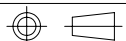
REVISIONS

| REV | SYM | DRAFTER | CHECKER | DATE |
|-----|-----|---------|----------|----------|
| 1 | | M.WANG | G.F.YANG | 08/10/16 |
| 2 | | | | |
| 3 | | | | |



DWG NO. EPC13-13C-10P-TH-J-11

| PART NO. | MATERIAL (BOBBIN) | MATERIAL (TERMINAL) | TERMINAL (PLATING) | PIN ALLOCATION | NOTE |
|--------------------|-------------------|---------------------|--------------------|------------------------|--------|
| TBI-206-04091.1106 | PM-9630 | CP WIRE | Sn | ALL PIN (A)=3.3±0.2 | 暫無刀模 S |
| TBI-206-04091.1116 | PM-9630 | CP WIRE | Sn | NO PIN#3,8 (A)=3.3±0.2 | H |
| TBI-206-04091.1126 | PM-9630 | CP WIRE | Sn | ALL PIN (A)=2.8±0.2 | |
| TBI-206-04091.1136 | PM-9630 | CP WIRE | Sn | NO PIN#3,8 (A)=2.8±0.2 | |



TOLERANCE: 0<L<=4:±0.1 4<L<=16:±0.2 16<L<=63:±0.3

UNIT : m / m

SCALE 1 : 1

Finish: 1. PB wire Immersion Sn on terminal : Thickness:Sn plating,100,5 μm (200 μ inches) min,Base nickel 0.625 μm (25 μ inches) min.
 2. CP wire Immersion Sn on terminal : Thickness:Sn plating,100,5 μm (200 μ inches) min.
 3. Coplanarity deviation: 0.10 mm (0.004 inches) max.

REV 1