

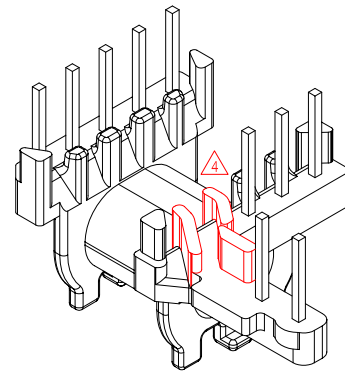
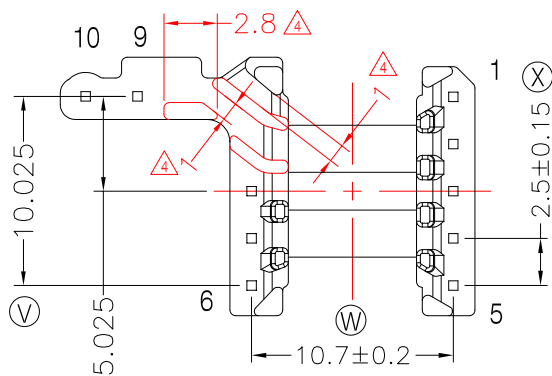
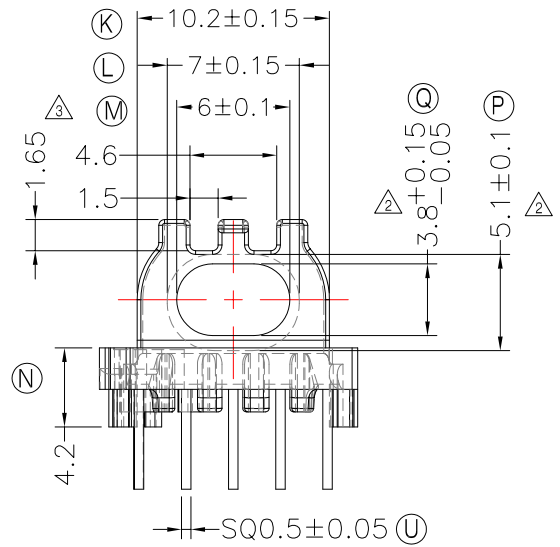
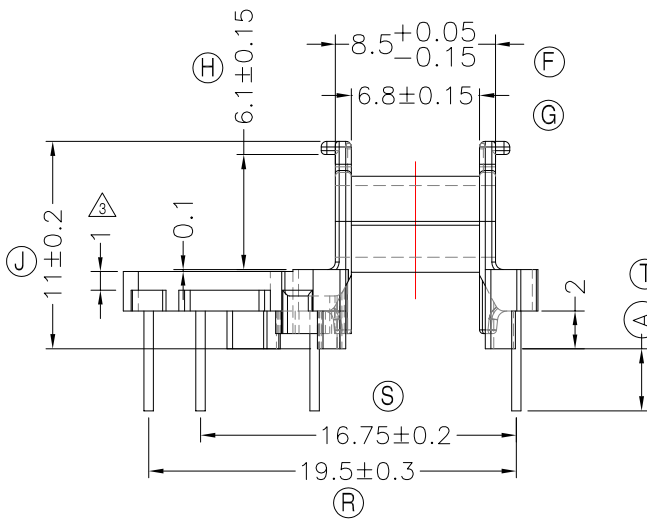
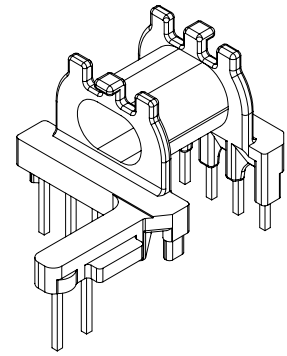
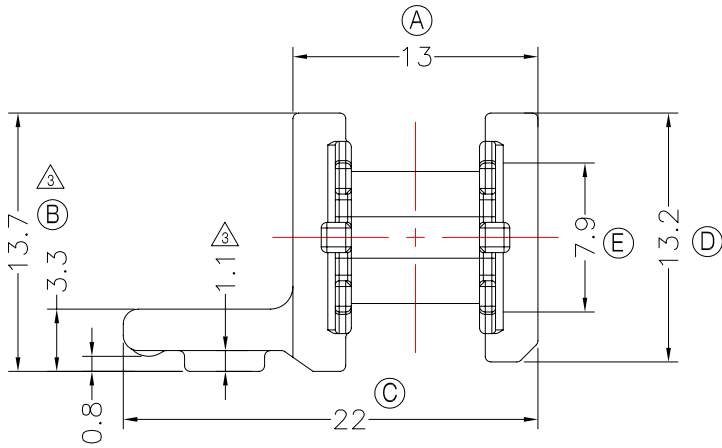


TRANSFORMER BOBBIN
INDUSTRIAL CO.,LTD.

Tel : 86-769-88789999 Fax : 86-769-88789989
http:// tbi-tw.com e-mail : tb6688@ms46.hinet.net

REVISIONS

REV	SYM	DRAFTER	CHECKER	DATE
②		X.H.GU	G.F.YANG	12/07/12
③		G.F.YANG	W.H.HSU	02/04/13
④		X.H.GU	G.F.YANG	09/16/13



DWG NO. EPC13-13C-10P-TH-G-12 ④

PART NO.	MATERIAL (BOBBIN)	MATERIAL (TERMINAL)	TERMINAL (PLATING)	PIN ALLOCATION	NOTE
TBI-206-04071.1206	PM-9820	CP WIRE	Sn	ALL PIN ①=3.3±0.2	S
TBI-206-04071.1216	PM-9820	CP WIRE	Sn	CUT PIN#6,7,8 ①=3.3±0.2	
TBI-206-04071.1226	PM-9820	CP WIRE	Sn	CUT PIN#3,6,7,8 ①=2.2±0.2	
TBI-206-04071.1236	PM-9820	CP WIRE	Sn	CUT PIN#6,8 ①=2.2±0.2	
TBI-206-04071.1246	PM-9820	CP WIRE	Sn	CUT PIN#3,8 ①=2.2±0.2	
TBI-206-04071.1256	PM-9820	CP WIRE	Sn	CUT PIN#3,8 ①=2.8±0.2	
TBI-206-04071.1266	PM-9820	CP WIRE	Sn	ALL PIN ①=2.2±0.2	

TOLERANCE: 0<L<=4:±0.1 4<L<=16:±0.2 16<L<=63:±0.3 UNIT : m/m SCALE 1 : 1

Finish: 1. PB wire Immersion Sn on terminal : Thickness:Sn plating,100,5 μm (200 μ inches) min,Base nickel 0.625 μm (25 μ inches) min.
2. CP wire Immersion Sn on terminal : Thickness:Sn plating,100,5 μm (200 μ inches) min.
3. Coplanarity deviation: 0.10 mm (0.004 inches)max.

REV 4