

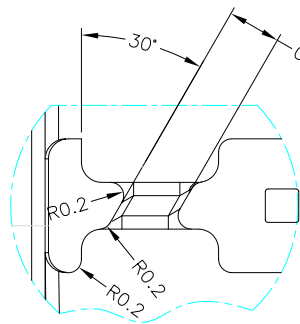


TRANSFORMER BOBBIN
INDUSTRIAL CO.,LTD.

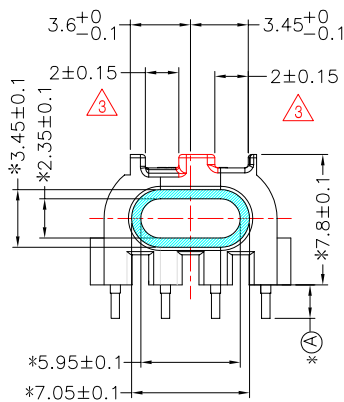
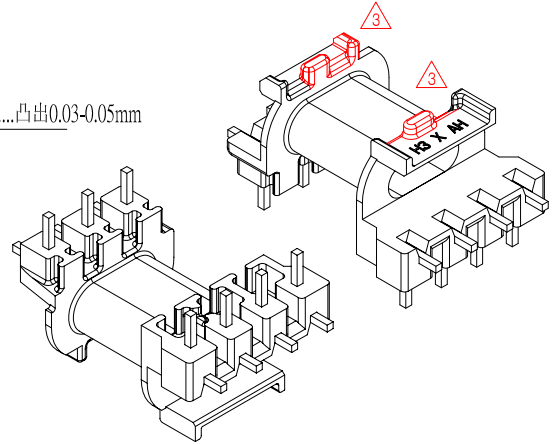
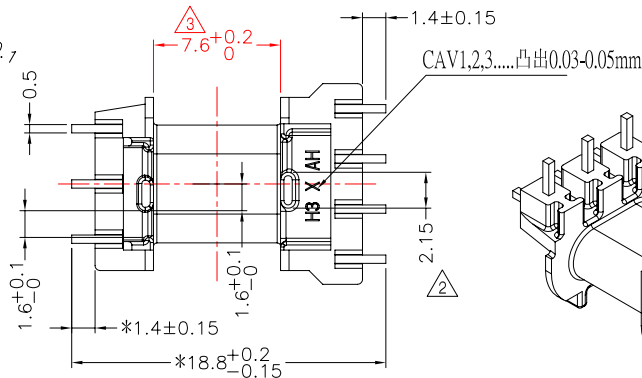
Tel : 86-769-88789999 Fax : 86-769-88789999
http:// tbi-tw.com e-mail : tb6688@ms46.hinet.net

REVISIONS

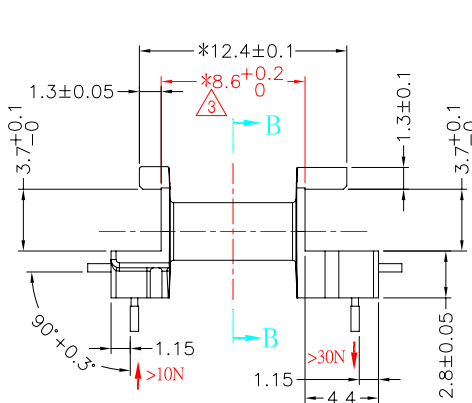
REV	SYM	DRAFTER	CHECKER	DATE
1		X.H.GU	G.F.YANG	03/08/11
2		X.H.GU	G.F.YANG	04/29/11
3		X.H.GU	G.F.YANG	05/23/11



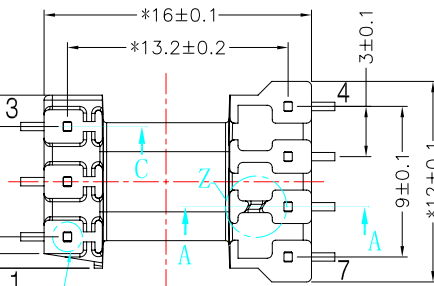
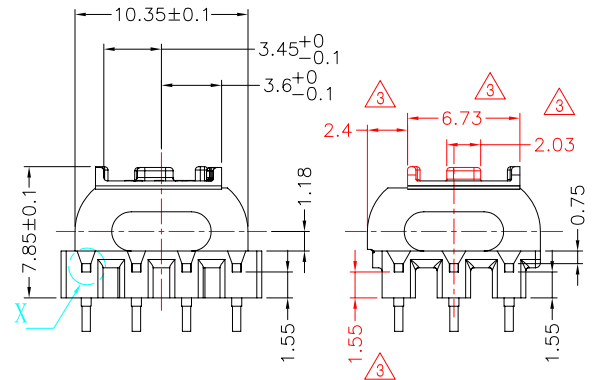
Detail Z (4:1)



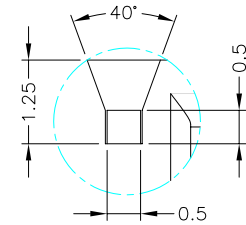
Section B-B



Section A-A



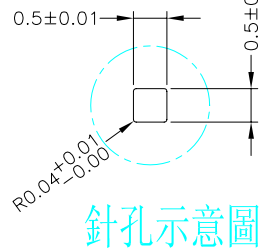
Section C-C



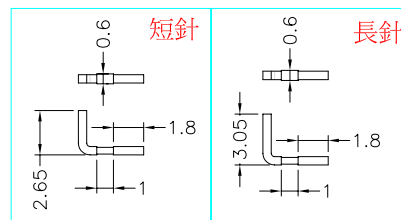
Detail X (4:1)

技術要求 :

1. 塑膠材質 : SEE TABLE;
2. 防火等級 : 94V-0;
3. 五金材質 : CP線0.5*0.5mm(22%銅,78%鋼), 鍍錫100%,厚度0.003-0.005mm;
4. 產品最小壁厚為0.4mm;
5. 未注R做R0.2mm;
6. 推力大于10N,拉力大于30N;
7. 產品不可有縮水、毛邊、繞線管區域表面不可有利角,轉角處須平滑過渡;
8. 產品表面為光面 .
9. 帶"*" 為重點尺寸 .



針孔示意圖



DWG NO. EPC13-7P-THL-D-31

PART NO.	MATERIAL (BOBBIN)	MATERIAL (TERMINAL)	TERMINAL (PLATING)	PIN ALLOCATION	NOTE
TBI-206-04041.3106	LCP-E4008 (BK) (無鹵)	CP WIRE	Sn	ALL PIN (A)=2.0±0.3	
TBI-206-04041.3116	LCP-E4008 (BK) (無鹵)	CP WIRE	Sn	ALL PIN (A)=4.0±0.3	H
TBI-206-04041.3126	LCP-E4008 (BK) (無鹵)	CP WIRE	Sn	CUT PIN#2,5 (A)=2.0±0.3	

GENERAL TOLERANCES

0~1	1~3	3~6	6~10	10~15	15~22	22~30	UNIT : m / m	SCALE 1 : 1
±0.08	±0.09	±0.10	±0.11	±0.13	±0.15	±0.17		

Finish: 1. PB wire Immersion Sn on terminal : Thickness:Sn plating,100,5 μm (200 μ inches) min,Base nickel 0.625 μm (25 μ inches) min.
2. CP wire Immersion Sn on terminal : Thickness:Sn plating,100,5 μm (200 μ inches) min.
3. Coplanarity deviation: 0.10 mm (0.004 inches) max.

REV 3