

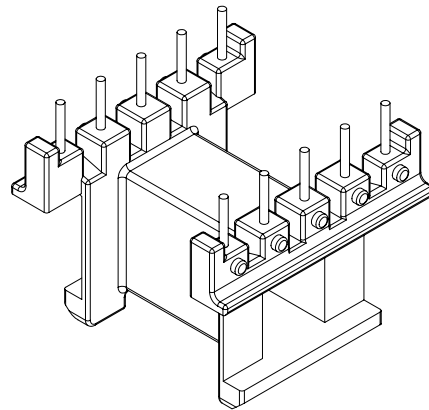
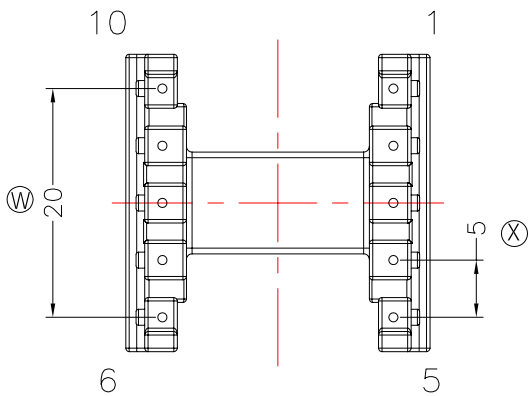
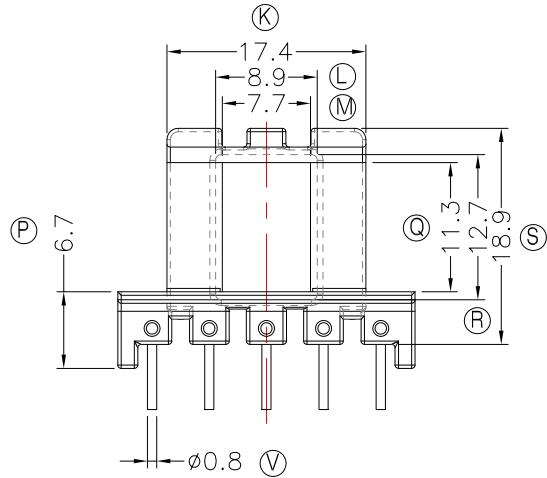
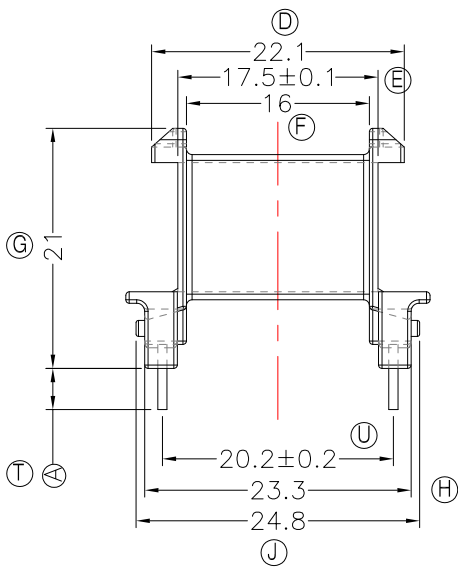
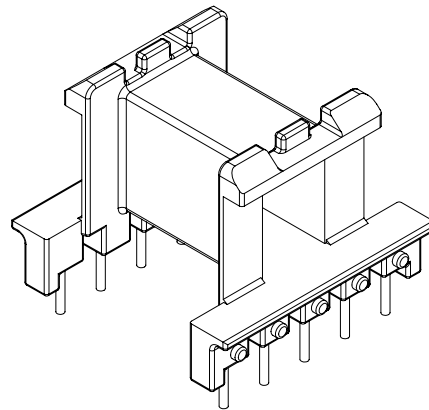
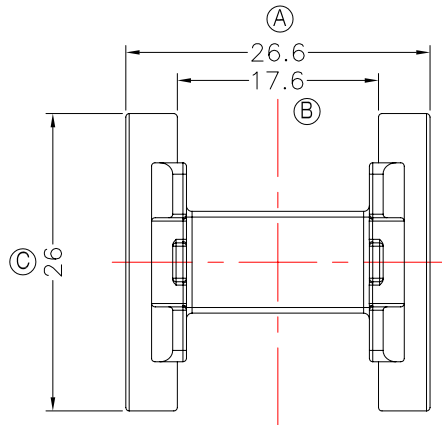


**TRANSFORMER BOBBIN  
INDUSTRIAL CO.,LTD.**

Tel : 86-769-88789999 Fax : 86-769-88789989  
 http:// tbi-tw.com e-mail : tb6688@ms46.hinet.net

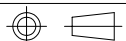
REVISIONS

REV	SYM	DRAFTER	CHECKER	DATE
1		G.F.YANG	W.H.HSU	11/23/10
2				
3				



DWG NO. EF25-10P-TH-5.0-B9-12

PART NO.	MATERIAL (BOBBIN)	MATERIAL (TERMINAL)	TERMINAL (PLATING)	PIN ALLOCATION	NOTE
TBI-205-05291.1206	PM-9820	CP WIRE	Sn	ALL PIN (A)=3.6±0.2	
TBI-205-05291.1216	PM-9820	CP WIRE	Sn	CUT PIN#6,8,9 (A)=4.5±0.2	H



TOLERANCE: 0<L<=4:±0.1 4<L<=16:±0.2 16<L:±0.3

UNIT : m / m

SCALE 1:1

Finish: 1. PB wire Immersion Sn on terminal : Thickness:Sn plating,100,5 μm (200 μ inches) min,Base nickel 0.625 μm (25 μ inches) min.  
 2. CP wire Immersion Sn on terminal : Thickness:Sn plating,100,5 μm (200 μ inches) min.  
 3. Coplanarity deviation: 0.10 mm (0.004 inches) max.

REV 1