

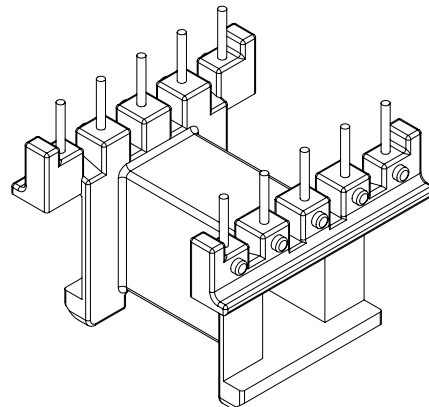
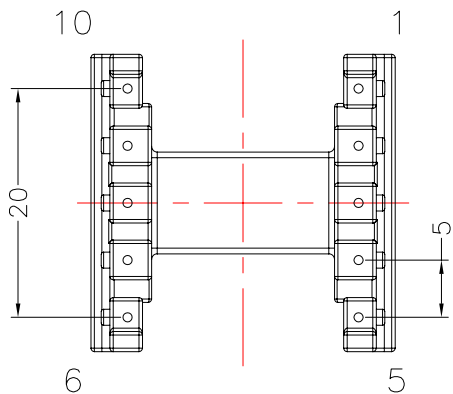
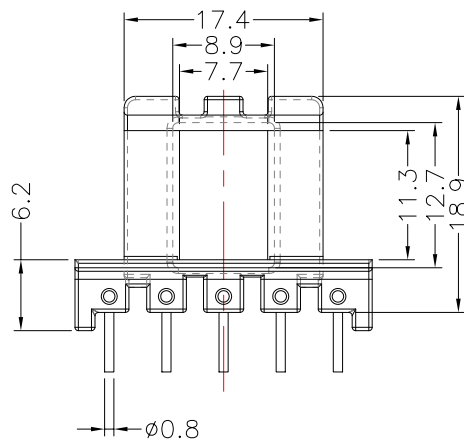
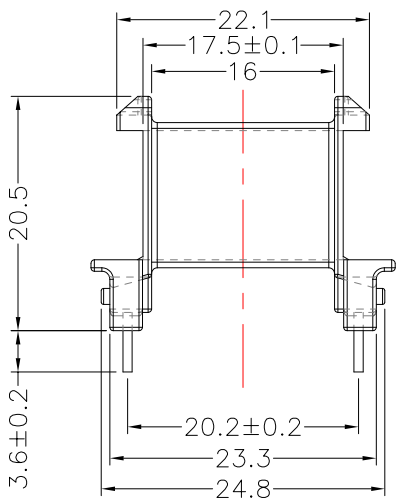
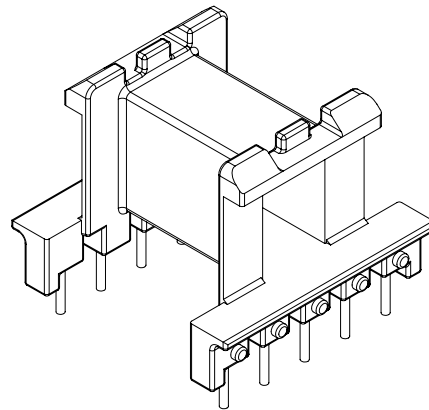
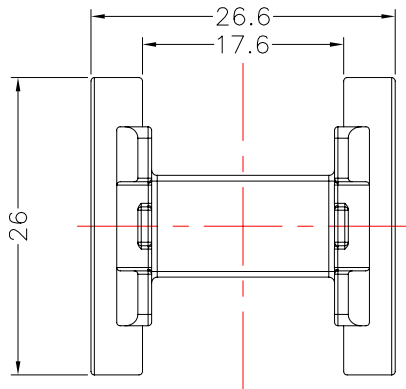


TRANSFORMER BOBBIN
INDUSTRIAL CO.,LTD.

Tel : 86-769-88789999 Fax : 86-769-88789989
http:// tbi-tw.com e-mail : tb6688@ms46.hinet.net

REVISIONS

REV	SYM	DRAFTER	CHECKER	DATE
1		YAN.TANG	G.F.YANG	11/23/09
2				
3				



DWG NO. EF25-10P-TH-5.0-B4-12

PART NO.	MATERIAL (BOBBIN)	MATERIAL (TERMINAL)	TERMINAL (PLATING)	PIN ALLOCATION	NOTE
TBI-205-05241.1206	PM-9820	CP WIRE	Sn	ALL PIN	
TBI-205-05241.1216	PM-9820	CP WIRE	Sn	CUT PIN # 6,8,9	

TBI-205-05241.1206

PM-9820

CP WIRE

Sn

ALL PIN

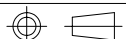
TBI-205-05241.1216

PM-9820

CP WIRE

Sn

CUT PIN # 6,8,9



TOLERANCE: 0<L≤4:±0.1 4<L≤16:±0.2 16<L:±0.3

UNIT : m / m

SCALE 1 : 1

Finish: 1. PB wire Immersion Sn on terminal : Thickness:Sn plating,100,5 μm (200 μ inches) min,Base nickel 0.625 μm (25 μ inches) min.
2. CP wire Immersion Sn on terminal : Thickness:Sn plating,100,5 μm (200 μ inches) min.
3. Coplanarity deviation: 0.10 mm (0.004 inches) max.

REV 1