

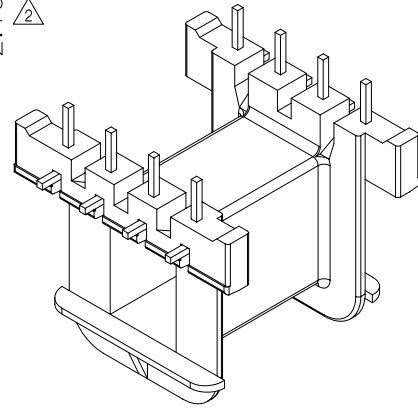
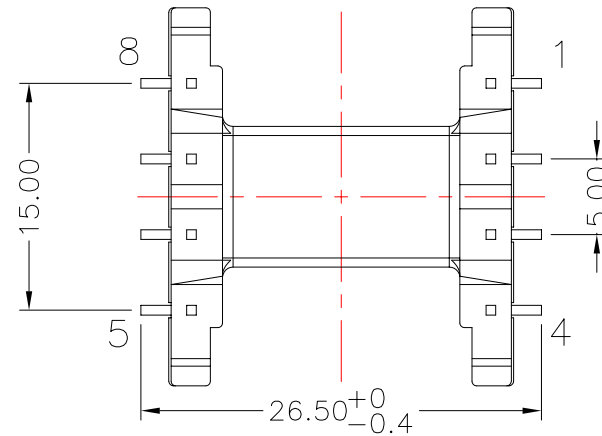
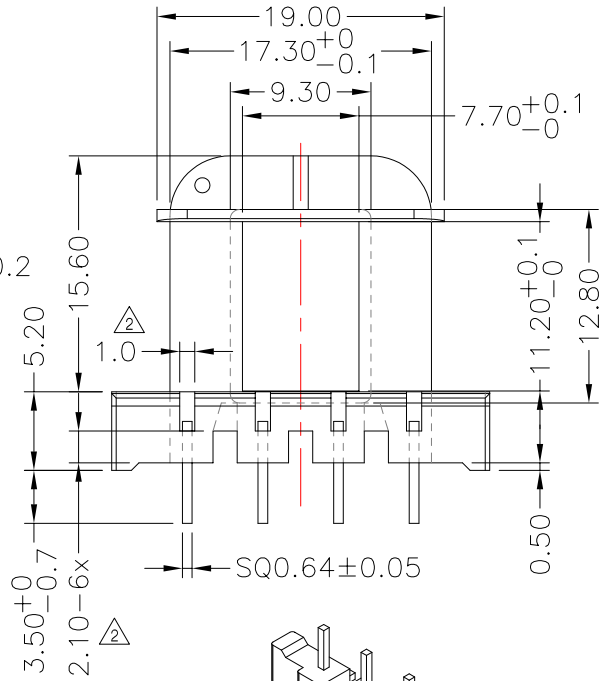
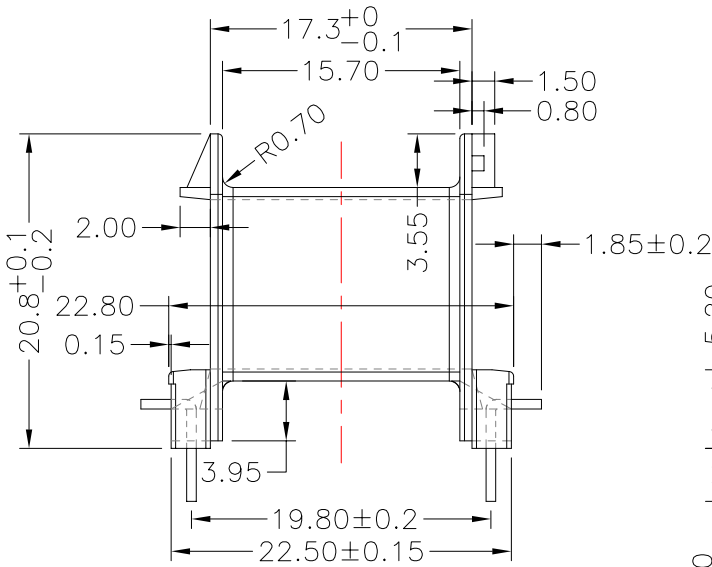
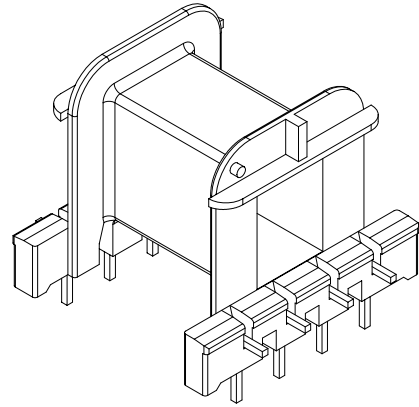
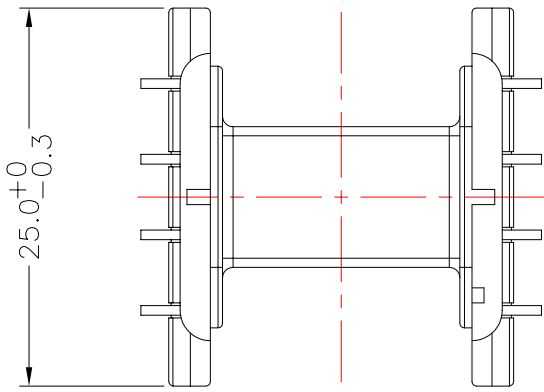


TRANSFORMER BOBBIN INDUSTRIAL CO.,LTD.

Tel : 86-769-88789999 Fax : 86-769-88789989
 http:// tbi-tw.com e-mail : tb6688@ms46.hinet.net

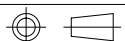
REVISIONS

REV	SYM	DRAFTER	CHECKER	DATE
①		S.Y.TANG	G.F.YANG	03/17/08
②		S.Y.TANG	G.F.YANG	03/22/08
③				



DWG NO. EF25-8P-THL-5.0-A0-91

PART NO.	MATERIAL (BOBBIN)	MATERIAL (TERMINAL)	TERMINAL (PLATING)	PIN ALLOCATION	NOTE
TBI-205-05101.9106	FR530(BK)	C.P WIRE	Sn	ALL PIN	
TBI-205-05101.9116	FR530(BK)	C.P WIRE	Sn	PIN CUT # 4	52G00763
TBI-205-05101.9126	FR530(BK)	C.P WIRE	Sn	PIN CUT # 7	52G00762
TBI-205-05101.9136	FR530(BK)	C.P WIRE	Sn	PIN CUT # 6	52GEF258PP01
TBI-205-05101.9146	FR530(BK)	C.P WIRE	Sn	PIN CUT # 2,3,7	52G00742



TOLERANCE: 0<L≤4 ±0.1 4<L≤16 ±0.2 16<L≤63 ±0.3 Pin Pitch : ±0.2

UNIT : m / m

SCALE 2: 1

Finish: 1. Pb wire Immersion Sn on terminal : Thickness:Sn plating,100,5 μm (200 μ inches) min,Base nickel 0.625 μm (25 μ inches) min.
 2. CP wire Immersion Sn on terminal : Thickness:Sn plating,100,5 μm (200 μ inches) min.
 3. Coplanarity deviation: 0.10 mm (0.004 inches) max.

REV 2