

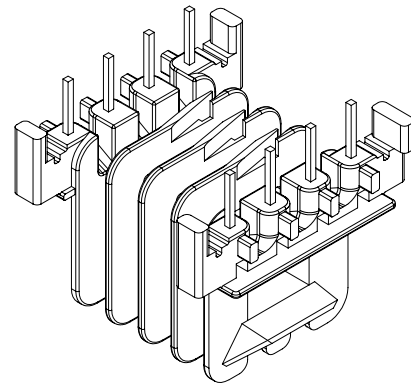
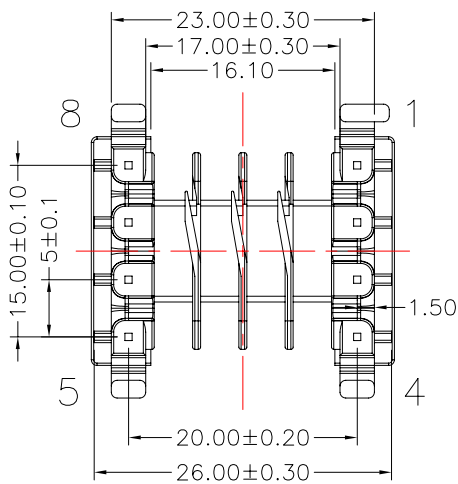
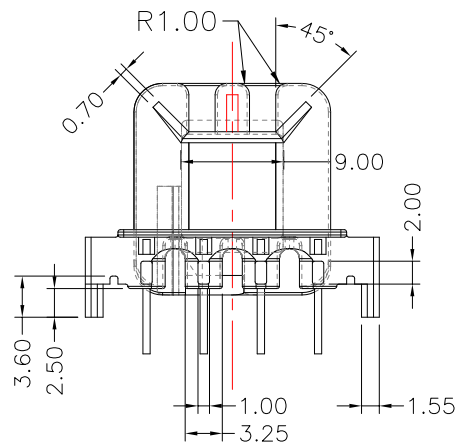
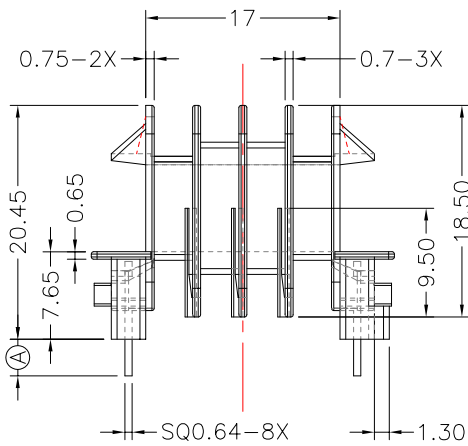
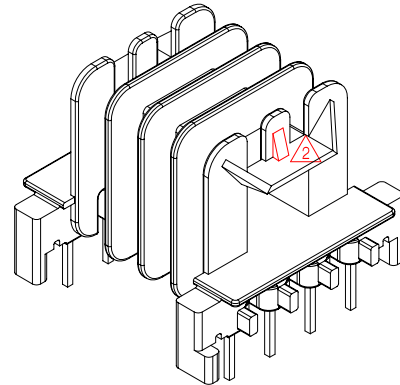
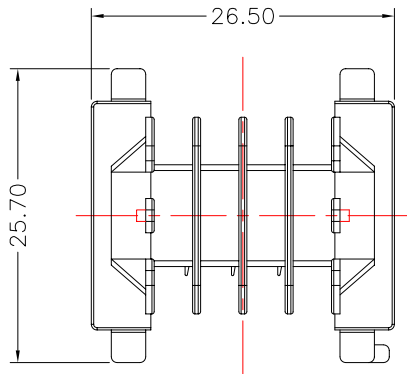


**TRANSFORMER BOBBIN
INDUSTRIAL CO.,LTD.**

Tel : 86-769-88789999 Fax : 86-769-88789989
http:// tbi-tw.com e-mail : tb6688@ms46.hinet.net

REVISIONS

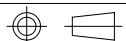
REV	SYM	DRAFTER	CHECKER	DATE
1		G.F.YANG	W.H.HSU	07/31/07
2		YAN.TANG	G.F.YANG	08/21/10
3				



Per pin retention force after solder : >1.0Kgf/10s(solder temperature:420°±10°,1~2s)

DWG NO. EF25-8P-TH-5.0-C-7-4S

PART NO.	MATERIAL (BOBBIN)	MATERIAL (TERMINAL)	TERMINAL (PLATING)	PIN ALLOCATION	NOTE
TBI-205-05034.706	PA66-A3X2G7(RED)	C,P WIRE	Sn	ALL PIN (A)=3.2±0.1	
TBI-205-05034.716	PA66-A3X2G7(RED)	C,P WIRE	Sn	CUT PIN #1 (A)=3.5±0.2	H
TBI-205-05034.726	PA66-A3X2G7(RED)	C,P WIRE	Sn	CUT PIN # 2,3,5,7 (A)=3.5±0.2	
TBI-205-05034.736	PA66-A3X2G7(RED)	C,P WIRE	Sn	CUT PIN # 4 (A)=3.2±0.2	
TBI-205-05034.746	PA66-A3X2G7(RED)	C,P WIRE	Sn	CUT PIN # 3 (A)=3.2±0.2	
TBI-205-05034.756	PA66-A3X2G7(RED)	C,P WIRE	Sn	CUT PIN # 2 (A)=3.3±0.2	



TOLERANCE: .X±0.5 .XX±0.2

UNIT : m / m

SCALE 1.5 : 1

Finish: 1. Pb wire Immersion Sn on terminal : Thickness:Sn plating,100,5 μm (200 μ inches) min,Base nickel 1-2 μm (40-80 μ inches) min.
2. CP wire Immersion Sn on terminal : Thickness:Sn plating,100,5 μm (200 μ inches) min.
3. Coplanarity deviation: 0.10 mm (0.004 inches) max.

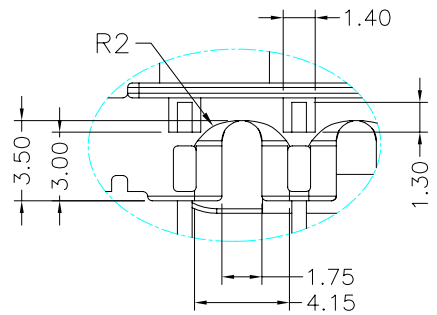
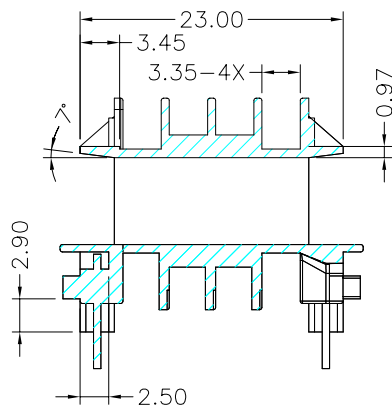
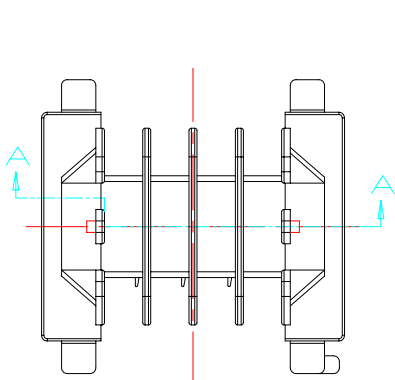
REV 2



**TRANSFORMER BOBBIN
INDUSTRIAL CO.,LTD.**

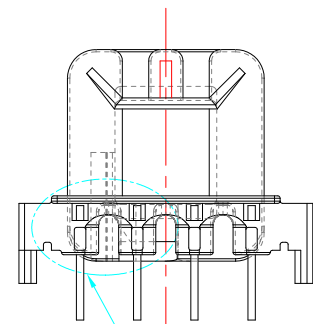
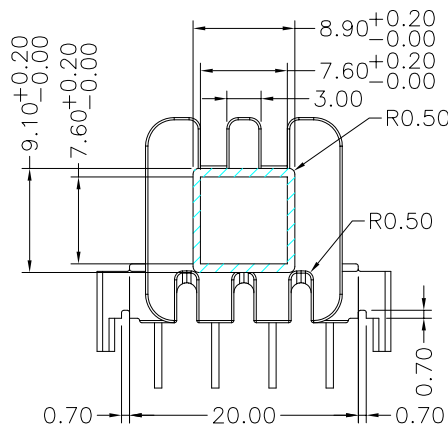
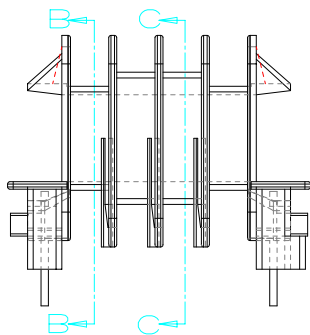
Tel : 86-769-88789999 Fax : 86-769-88789989
http:// tbi-tw.com e-mail : tb6688@ms46.hinet.net

REVISIONS				
REV	SYM	DRAFTER	CHECKER	DATE
1		G.F.YANG	W.H.HSU	07/31/07
2		YAN.TANG	G.F.YANG	08/21/10
3				



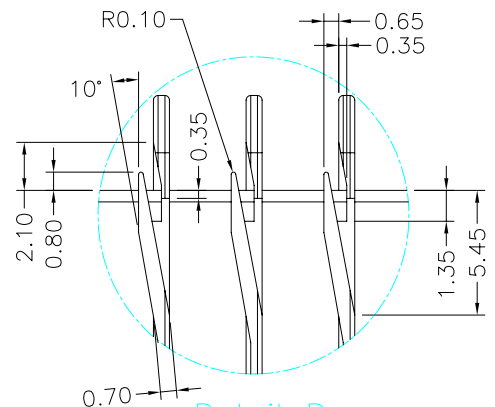
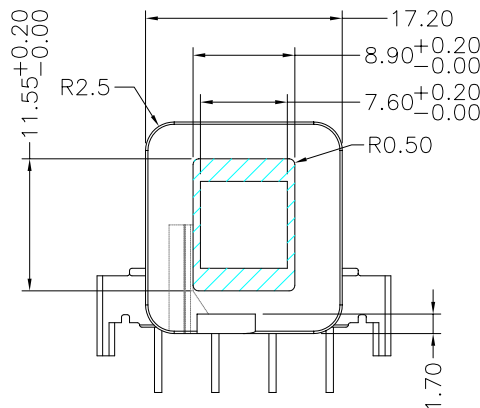
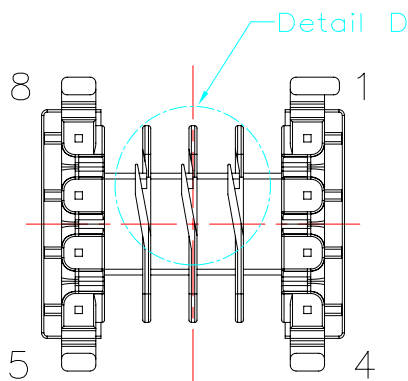
SECTION A-A

Detail E
SCALE 3:1



SECTION B-B

Detail E



SECTION C-C

Detail D
SCALE 3:1

Pull strength 1.0kg min.

DWG NO. EF25-8P-TH-5.0-C-7-4S

PART NO.	MATERIAL (BOBBIN)	MATERIAL (TERMINAL)	TERMINAL (PLATING)	PIN ALLOCATION	NOTE
TBI-205-05034.706	PA66-A3X2G7(RED)	C,P WIRE	Sn	ALL PIN (A)=3.2±0.1	
TBI-205-05034.716	PA66-A3X2G7(RED)	C,P WIRE	Sn	CUT PIN #1 (A)=3.5±0.2	H
TBI-205-05034.726	PA66-A3X2G7(RED)	C,P WIRE	Sn	CUT PIN # 2,3,5,7 (A)=3.5±0.2	
TBI-205-05034.736	PA66-A3X2G7(RED)	C,P WIRE	Sn	CUT PIN # 4 (A)=3.2±0.2	
TBI-205-05034.746	PA66-A3X2G7(RED)	C,P WIRE	Sn	CUT PIN # 3 (A)=3.2±0.2	
TBI-205-05034.756	PA66-A3X2G7(RED)	C,P WIRE	Sn	CUT PIN # 2 (A)=3.3±0.2	

TOLERANCE: .X±0.5 .XX±0.2

UNIT : m / m

SCALE 1.5 : 1

Finish: 1. Pb wire Immersion Sn on terminal : Thickness:Sn plating,100,5 μm (200 μ inches) min,Base nickel 1-2 μm (40-80 μ inches) min.
2. CP wire Immersion Sn on terminal : Thickness:Sn plating,100,5 μm (200 μ inches) min.
3. Coplanarity deviation: 0.10 mm (0.004 inches) max.

REV 2