

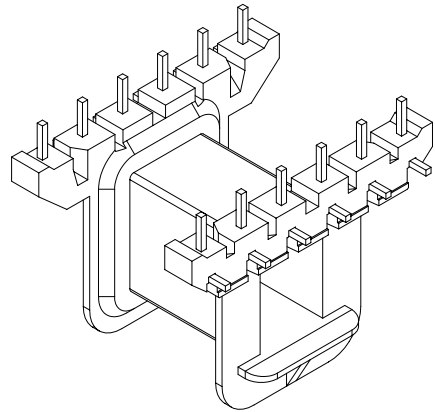
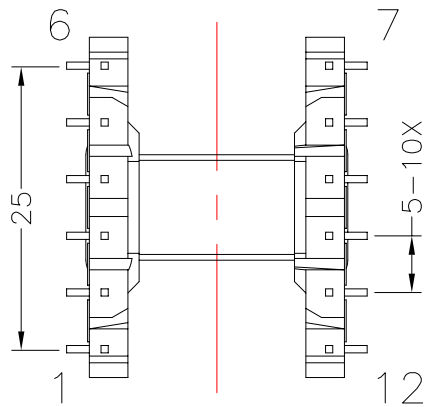
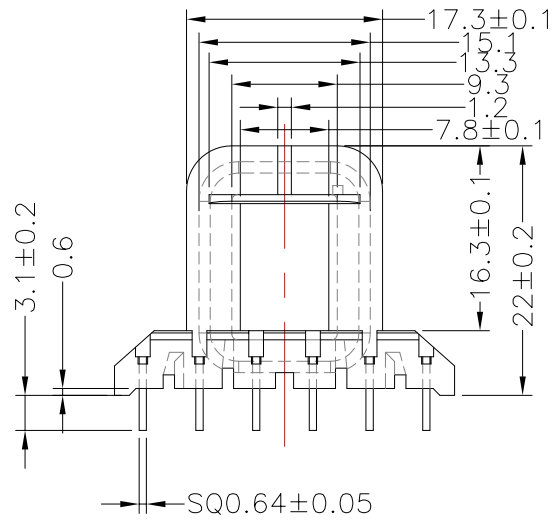
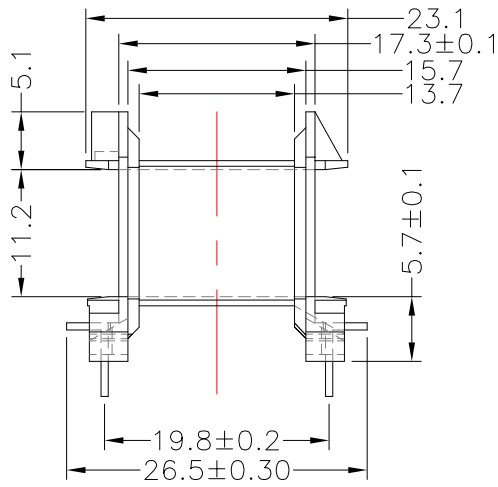
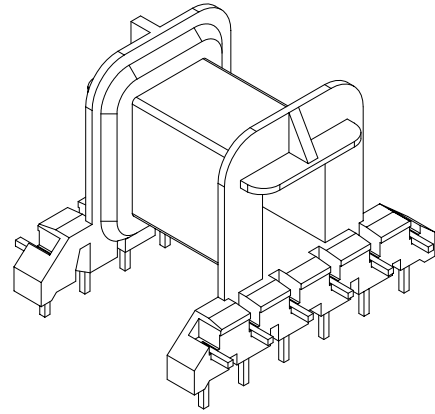
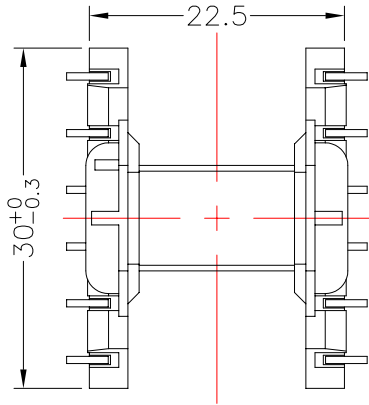


# TRANSFORMER BOBBIN INDUSTRIAL CO.,LTD.

Tel : 86-769-88789999 Fax : 86-769-88789989  
 http:// tbi-tw.com e-mail : tb6688@ms46.hinet.net

### REVISIONS

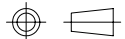
REV	SYM	DRAFTER	CHECKER	DATE
①		S.Y.TANG	G.F.YANG	11/29/08
②				
③				



推力要求:2.0KG MIN;

DWG NO. EF25-12P-THL-5.0-A-91

PART NO.	MATERIAL (BOBBIN)	MATERIAL (TERMINAL)	TERMINAL (PLATING)	PIN ALLOCATION	NOTE
TBI-205-05011.9106	PET-FR530(BK)	C.P WIRE	Sn	ALL PIN	
TBI-205-05011.9116	PET-FR530(BK)	C.P WIRE	Sn	PIN CUT # 8,11	
TBI-205-05011.9126	PET-FR530(BK)	C.P WIRE	Sn	PIN CUT # 9,11	



TOLERANCE: .X±0.15 .XX±0.10 .XXX±0.05

UNIT : m / m

SCALE 3: 2

Finish: 1. Pb wire Immersion Sn on terminal : Thickness gold 0.075 μm (3 μ inches) min, Base nickel 0.625 μm (25 μ inches) min.  
 2. CP wire Immersion Sn on terminal : Thickness gold 0.075 μm (3 μ inches) min.  
 3. Coplanarity deviation: 0.10 mm (0.004 inches) max.

REV 1