

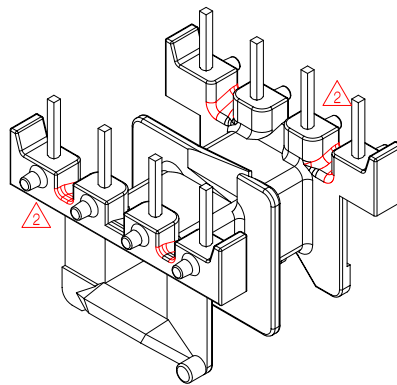
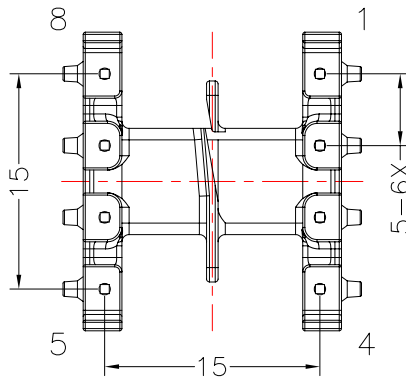
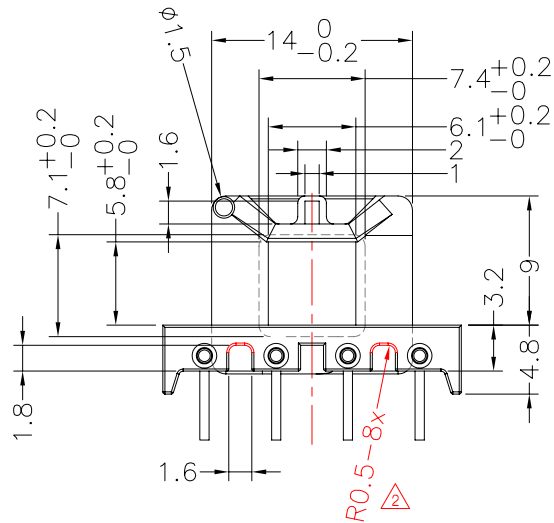
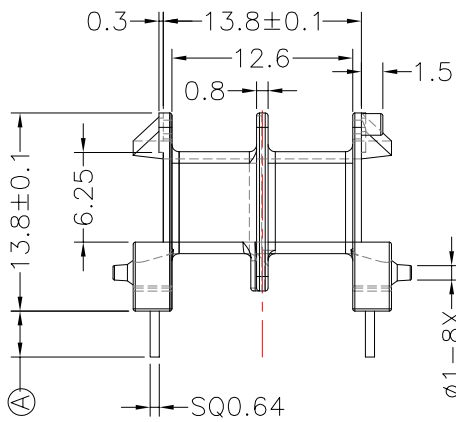
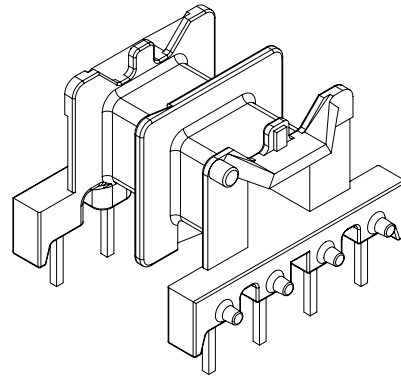
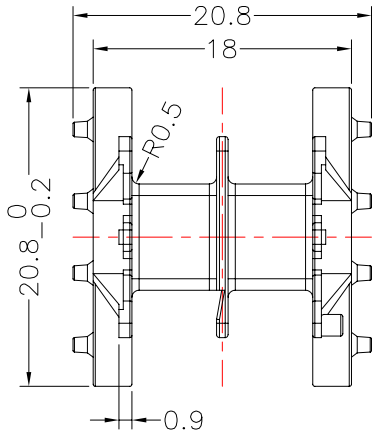


TRANSFORMER BOBBIN INDUSTRIAL CO.,LTD.

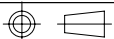
Tel : 86-769-88789999 Fax : 86-769-88789989
 http:// tbi-tw.com e-mail : tb6688@ms46.hinet.net

REVISIONS

REV	SYM	DRAFTER	CHECKER	DATE
①		X.X.YUAN	G.F.YANG	08/28/14
②		X.H.GU	G.F.YANG	10/17/14
③				



DWG NO.	EF20-8P-TH-5.0-F3-12-2S				
PART NO.	MATERIAL (BOBBIN)	MATERIAL (TERMINAL)	TERMINAL (PLATING)	PIN ALLOCATION	NOTE
TBI-205-03632.1206	PM-9820	CP WIRE	Sn	ALL PIN ①=3.2±0.2	S
TBI-205-03632.1216	PM-9820	CP WIRE	Sn	CUT PIN# 2,3,6,7 ①=3.2±0.2	52GEF208P2S6 H
TBI-205-03632.1226	PM-9820	CP WIRE	Sn	CUT PIN# 2,6,7 ①=3.1±0.2	52GEF208P2SB
TBI-205-03632.1236	PM-9820	CP WIRE	Sn	CUT PIN# 6 ①=3.1±0.2	52GEF208P2SC
TBI-205-03632.1246	PM-9820	CP WIRE	Sn	CUT PIN# 3,6,7 ①=3.1±0.2	52GEF208P2SD
TBI-205-03632.1256	PM-9820	CP WIRE	Sn	CUT PIN# 1 ①=3.2±0.2	52GEF208P2S8 F
TBI-205-03632.1266	PM-9820	CP WIRE	Sn	CUT PIN# 7 ①=3.5+0/-0.7	52GEF208P2S2
TBI-205-03632.1276	PM-9820	CP WIRE	Sn	CUT PIN# 2,5 ①=3.5+0/-0.7	52GEF208P2S1



TOLERANCE: .X±0.15 .XX±0.10 .XXX±0.05

UNIT : m / m

SCALE 2 : 1

Finish: 1. PB wire Immersion Sn on terminal : Thickness:Sn plating,100,5 μm (200 μ inches) min,Base nickel 0.625 μm (25 μ inches) min.
 2. CP wire Immersion Sn on terminal : Thickness:Sn plating,100,5 μm (200 μ inches) min.
 3. Coplanarity deviation: 0.10 mm (0.004 inches)max.

REV 2