

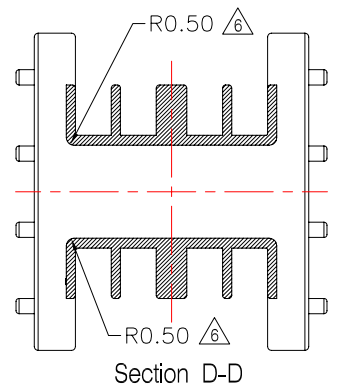
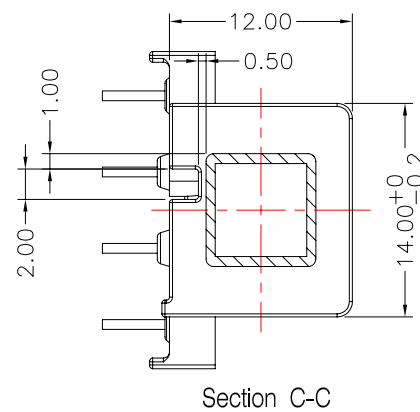
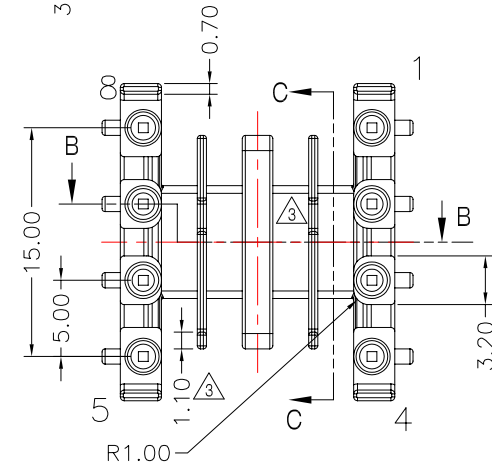
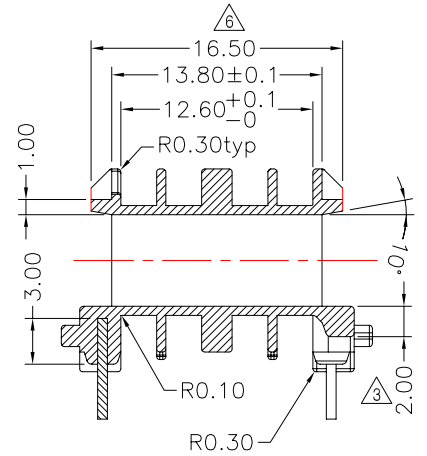
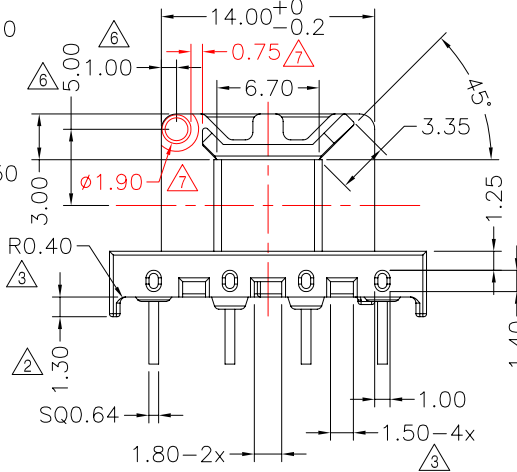
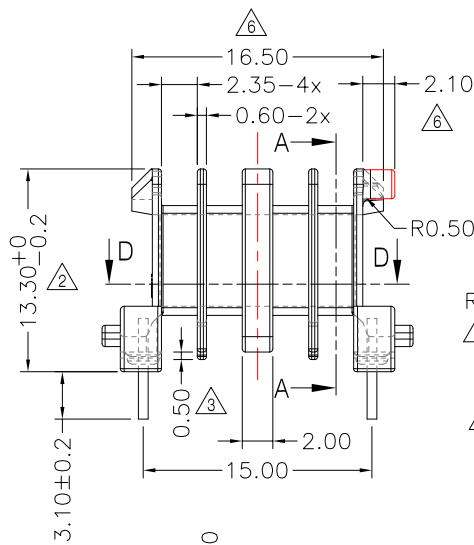
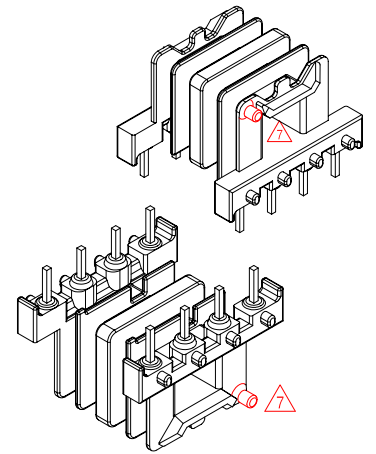
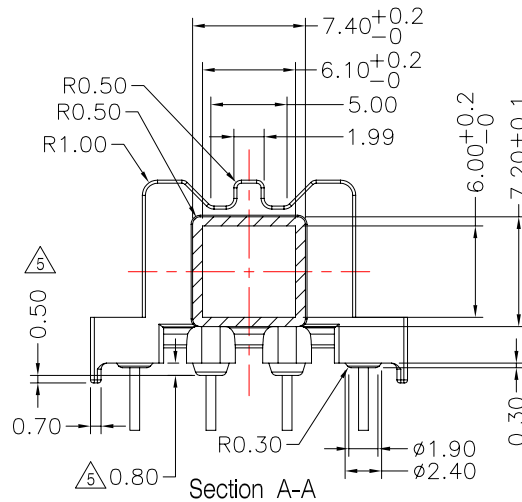
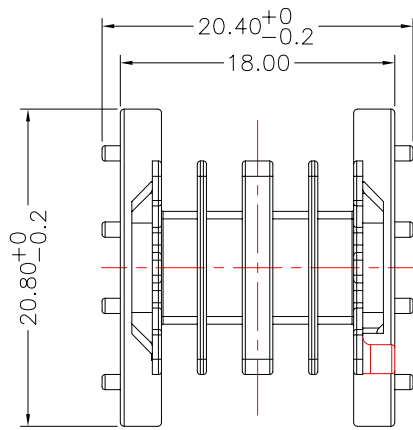


**TRANSFORMER BOBBIN
INDUSTRIAL CO.,LTD.**

Tel : 86-769-88789999 Fax : 86-769-88789989
http:// tbi-tw.com e-mail : tb6688@ms46.hinet.net

REVISIONS

REV	SYM	DRAFTER	CHECKER	DATE
5		X.H.GU	G.F.YANG	12/18/10
6		X.H.GU	G.F.YANG	09/28/12
7		X.H.GU	G.F.YANG	01/20/14



△ 拉力要求 1.5 KG Min

DWG NO. EF20-8P-TH-5.0-C3-91-4S

PART NO.	MATERIAL (BOBBIN)	MATERIAL (TERMINAL)	TERMINAL (PLATING)	PIN ALLOCATION	NOTE
TBI-205-03334.9106	FR-530 (NC)	CP WIRE	Sn	ALL PIN	
TBI-205-03334.9116	FR-530 (NC)	CP WIRE	Sn	CUT PIN #2,3,6,7	52GEF208P004 H
TBI-205-03334.9126	FR-530 (NC)	CP WIRE	Sn	CUT PIN #3,6,7	52GEF208P005
TBI-205-03334.9136	FR-530 (NC)	CP WIRE	Sn	CUT PIN #3,7	52GEF208P008
TBI-205-03334.9146	FR-530 (NC)	CP WIRE	Sn	CUT PIN #2,3,7	

TOLERANCE: X.X ±NIL X.XX ±0.1 X.XXX ±0.05 Pin Pitch ±0.1 Angle±1°

UNIT : m / m

SCALE 2 : 1

Finish: 1. PB wire Immersion Sn on terminal : Thickness:Sn plating,100,5 μm (200 μ inches) min,Base nickel 0.625 μm (25 μ inches) min.
2. CP wire Immersion Sn on terminal : Thickness:Sn plating,100,5 μm (200 μ inches) min.
3. Coplanarity deviation: 0.10 mm (0.004 inches) max.

REV 7