



TRANSFORMER BOBBIN INDUSTRIAL CO.,LTD.

Tel : 86-769-88789999 Fax : 86-769-88789989
 http:// tbi-tw.com e-mail : tb6688@ms46.hinet.net

REVISIONS				
REV	SYM	DRAFTER	CHECKER	DATE
△6		X.H.GU	G.F.YANG	09/28/12
△7		X.H.GU	G.F.YANG	11/05/12
△8		X.H.GU	G.F.YANG	06/04/13

A

A

B

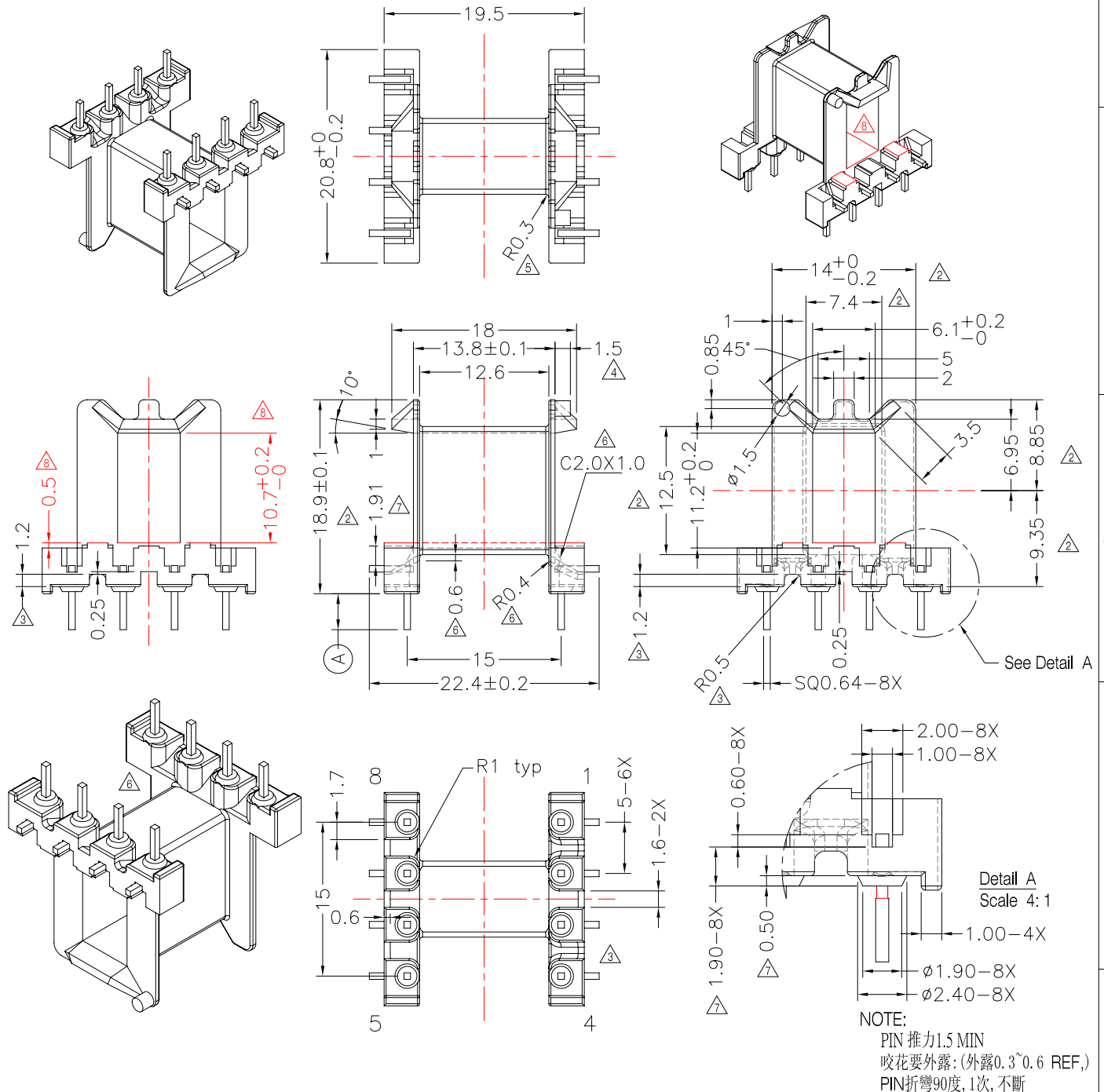
B

C

C

D

D



NOTE:
 PIN 推力1.5 MIN
 咬花要外露:(外露0.3~0.6 REF.)
 PIN折彎90度,1次,不斷

DWG NO.	EF20-8P-THL-5.0-A2-9				
PART NO.	MATERIAL (BOBBIN)	MATERIAL (TERMINAL)	TERMINAL (PLATING)	PIN ALLOCATION	NOTE
TBI-205-03121.906	PET-FR530	CP WIRE	Sn	ALL PIN(A)=3.5±0.3	S
TBI-205-03121.916	PET-FR530	CP WIRE	Sn	CUTPIN#2,3,6,8(A)=3.5±0.3	H
TBI-205-03121.926	PET-FR530	CP WIRE	Sn	CUT PIN#4(A)=3.5±0.3	
TBI-205-03121.936	PET-FR530	CP WIRE	Sn	CUT PIN # 2, 5(A)=3.1±0.2	52GEF208P006
TBI-205-03121.946	PET-FR530	CP WIRE	Sn	CUT PIN# 2(A)=3.1±0.2	52GEF208P007
TBI-205-03121.956	PET-FR530	CP WIRE	Sn	ALL PIN(A)=3.1±0.2	52GE208P0001
△6 TBI-205-03121.966	PET-FR530	CP WIRE	Sn	CUT PIN #6,7,8(A)=3.1±0.2	52GEF208P009
△7 TBI-205-03121.976	PET-FR530	CP WIRE	Sn	CUT PIN#7(A)=3.1±0.2	52GEF208P00C
TBI-205-03121.986	PET-FR530	CP WIRE	Sn	ALL PIN(A)=5.0±0.3	
TOLERANCE: 0<L≤6:±0.1 6<L≤30:±0.2 30<L≤120:±0.3				UNIT : m/m	SCALE 2:1
Finish: 1. PB wire Immersion Sn on terminal : Thickness:Sn plating,100,5μm (200μ inches) min,Base nickel 0.625μm (25μ inches) min. 2. CP wire Immersion Sn on terminal : Thickness:Sn plating,100,5μm (200μ inches) min. 3. Coplanarity deviation: 0.10 mm (0.004 inches)max.					REV 8

E

E

F

F