

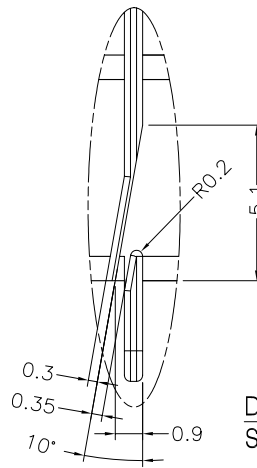
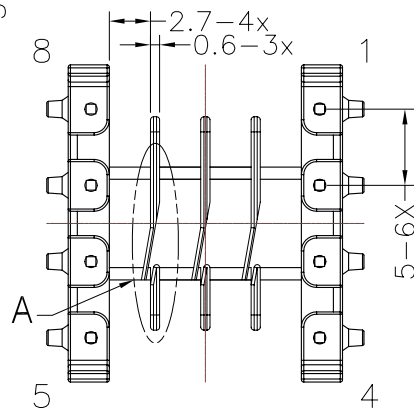
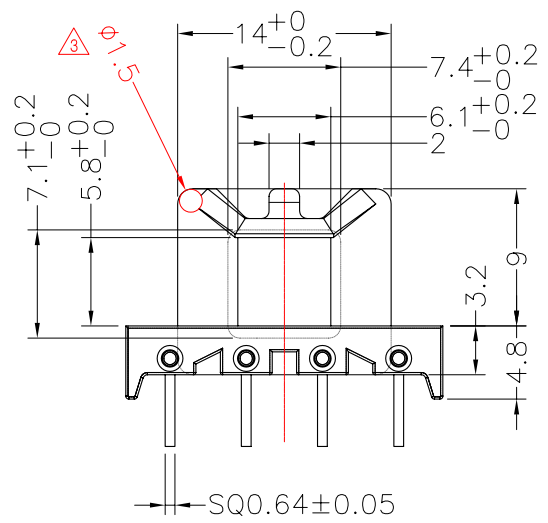
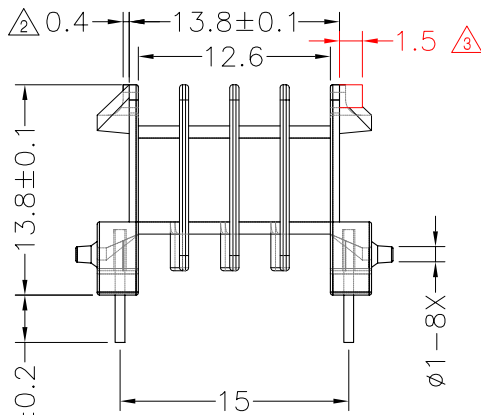
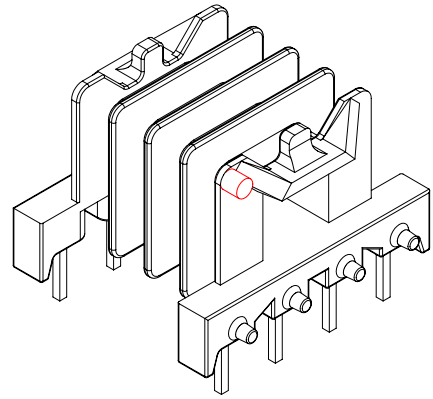
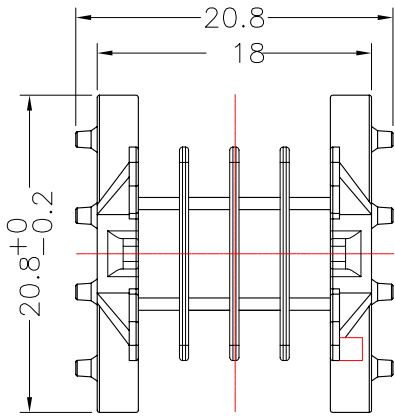


TRANSFORMER BOBBIN
INDUSTRIAL CO.,LTD.

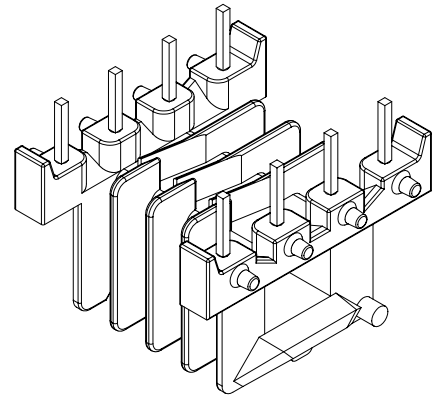
Tel : 86-769-88789999 Fax : 86-769-88789989
http:// tbi-tw.com e-mail : tb6688@ms46.hinet.net

REVISIONS

REV	SYM	DRAFTER	CHECKER	DATE
1		X.H.GU	W.H.HSU	11/05/07
2		G.F.YANG	W.H.HSU	05/19/08
3		X.H.GU	G.F.YANG	05/27/10



Detail A
Scale 4:1



Pin 拉力 1.5Kg Min

DWG NO. EF20-8P-TH-5.0-A1-91-4S

PART NO.	MATERIAL (BOBBIN)	MATERIAL (TERMINAL)	TERMINAL (PLATING)	PIN ALLOCATION	NOTE
TBI-205-03114.9106	PET-FR530(BK)	CP WIRE	Sn	ALL PIN	
TBI-205-03114.9116	PET-FR530(BK)	CP WIRE	Sn	CUT PIN# 3,7	
TBI-205-03114.9126	PET-FR530(BK)	CP WIRE	Sn	CUT PIN# 2,4,5,8	
TBI-205-03114.9136	PET-FR530(BK)	CP WIRE	Sn	CUT PIN# 2,4,7,8	

TOLERANCE: .X±0.15 .XX±0.10 .XXX±0.05 UNIT : m / m SCALE 2 : 1

Finish: 1. PB wire Immersion Sn on terminal : Thickness:Sn plating,100,5 μm (200 μ inches) min,Base nickel 0.625 μm (25 μ inches) min.
2. CP wire Immersion Sn on terminal : Thickness:Sn plating,100,5 μm (200 μ inches) min.
3. Coplanarity deviation: 0.10 mm (0.004 inches) max.

REV 3