

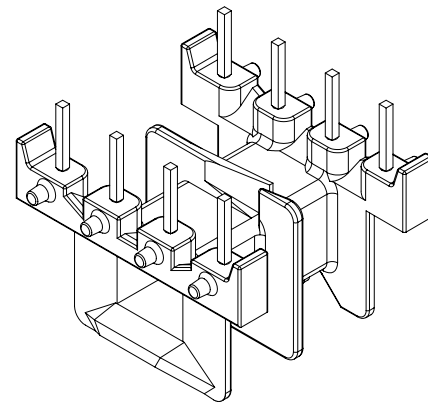
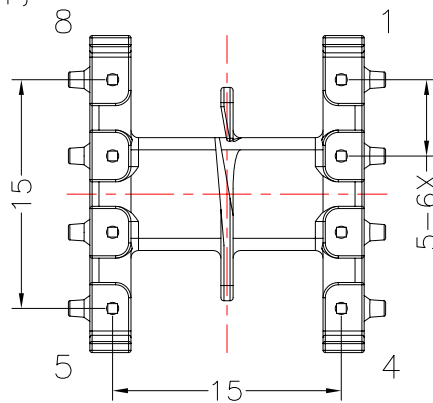
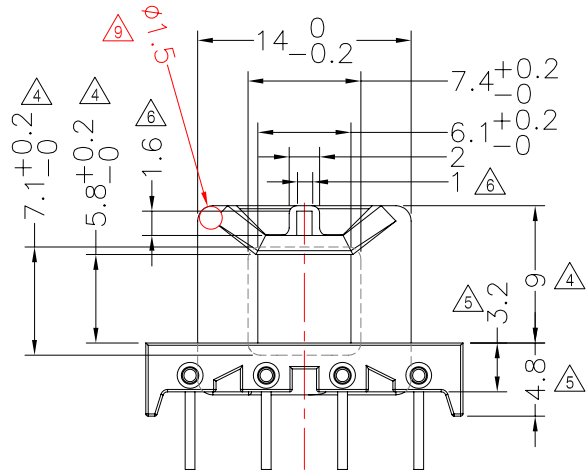
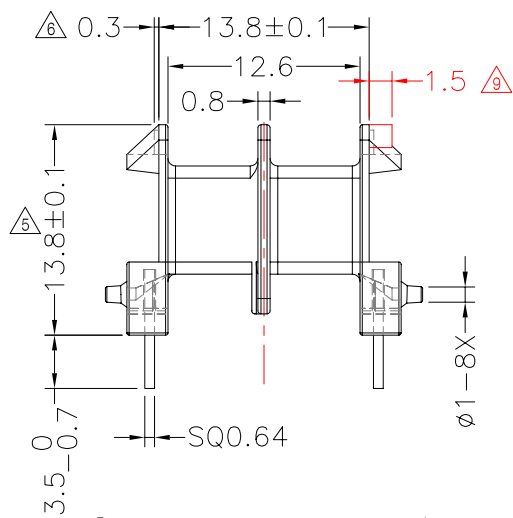
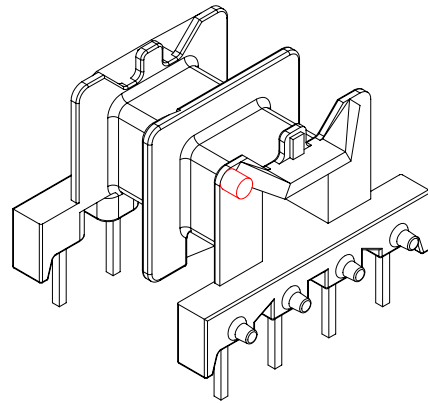
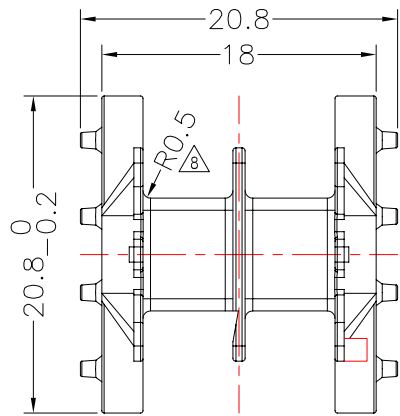


**TRANSFORMER BOBBIN  
INDUSTRIAL CO.,LTD.**

Tel : 86-769-88789999 Fax : 86-769-88789989  
http:// tbi-tw.com e-mail : tb6688@ms46.hinet.net

REVISIONS

REV	SYM	DRAFTER	CHECKER	DATE
7		YAN.TANG	G.F.YANG	01/12/08
8		YAN.TANG	G.F.YANG	04/23/08
9		X.H.GU	G.F.YANG	05/27/10



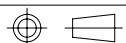
DWG NO. EF20-8P-TH-5.0-A1-1-2S

PART NO.	MATERIAL (BOBBIN)	MATERIAL (TERMINAL)	TERMINAL (PLATING)	PIN ALLOCATION	NOTE
----------	-------------------	---------------------	--------------------	----------------	------

TBI-205-03112.106	PM-9820	C.P WIRE	Sn	ALL PIN	
-------------------	---------	----------	----	---------	--

TBI-205-03112.116	PM-9820	C.P WIRE	Sn	CUT PIN# 2,5	
-------------------	---------	----------	----	--------------	--

TBI-205-03112.126	PM-9820	C.P WIRE	Sn	CUT PIN# 3,7	
-------------------	---------	----------	----	--------------	--



TOLERANCE: .X±0.15 .XX±0.10 .XXX±0.05

UNIT : m / m

SCALE 2 : 1

Finish: 1. PB wire Immersion Sn on terminal : Thickness:Sn plating,100,5 μm (200 μ inches) min,Base nickel 0.625 μm (25 μ inches) min.  
2. CP wire Immersion Sn on terminal : Thickness:Sn plating,100,5 μm (200 μ inches) min.  
3. Coplanarity deviation: 0.10 mm (0.004 inches) max.

REV 9