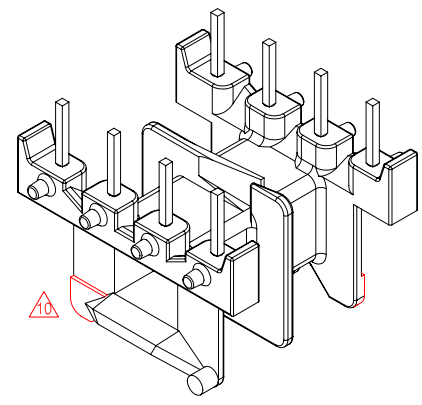
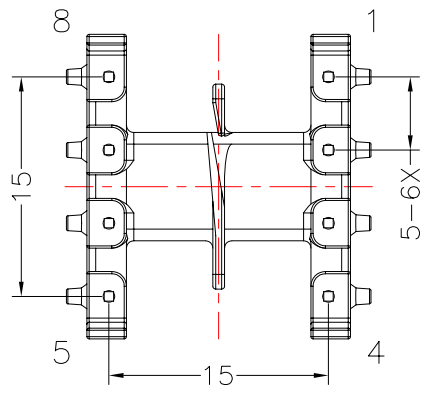
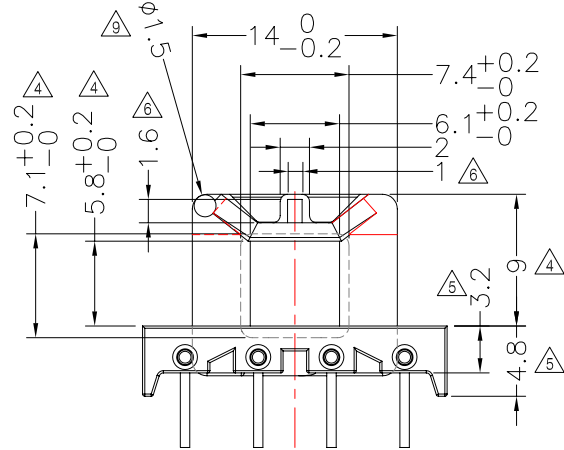
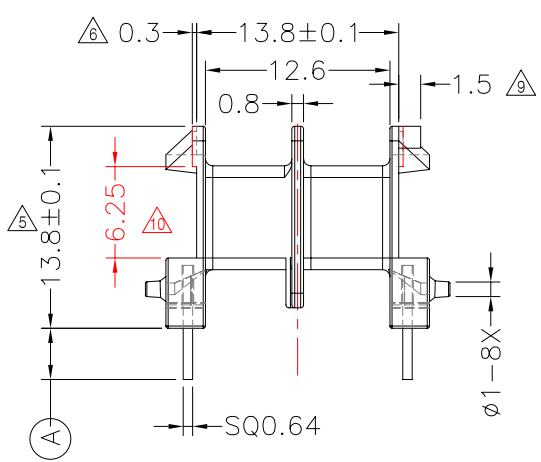
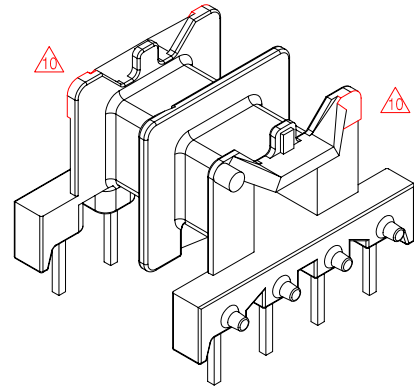
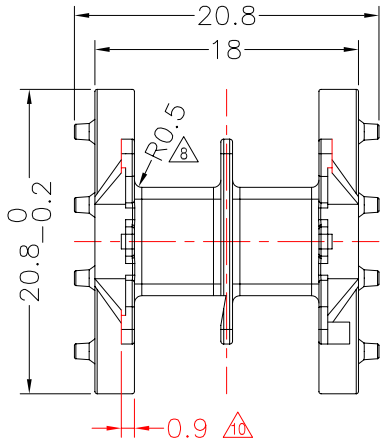




**TRANSFORMER BOBBIN
INDUSTRIAL CO.,LTD.**

Tel : 86-769-88789999 Fax : 86-769-88789989
http:// tbi-tw.com e-mail : tb6688@ms46.hinet.net

REVISIONS				
REV	SYM	DRAFTER	CHECKER	DATE
△8		YAN.TANG	G.F.YANG	04/23/08
△9		X.H.GU	G.F.YANG	05/27/10
△10		X.H.GU	G.F.YANG	10/19/10



DWG NO.	EF20-8P-TH-5.0-A1-12-2S			PIN ALLOCATION	NOTE
PART NO.	MATERIAL (BOBBIN)	MATERIAL (TERMINAL)	TERMINAL (PLATING)		
TBI-205-03112.1206	PM-9820	CP WIRE	Sn	ALL PIN (A)=3.5+0/-0.7	S
TBI-205-03112.1216	PM-9820	CP WIRE	Sn	CUT PIN# 2,5 (A)=3.5+0/-0.7	H
TBI-205-03112.1226	PM-9820	CP WIRE	Sn	CUT PIN# 3,7 (A)=3.5+0/-0.7	
TBI-205-03112.1236	PM-9820	CP WIRE	Sn	CUT PIN# 7 (A)=3.5+0/-0.7	
TBI-205-03112.1246	PM-9820	CP WIRE	Sn	CUT PIN# 3,7 (A)=3.2±0.2	
TBI-205-03112.1256	PM-9820	CP WIRE	Sn	CUT PIN# 2,3,6,7 (A)=3.2±0.2	
TBI-205-03112.1266	PM-9820	CP WIRE	Sn	CUT PIN# 1 (A)=3.2±0.2	
TBI-205-03112.1276	PM-9820	CP WIRE	Sn	CUT PIN# 2,6,7 (A)=3.1±0.2	

TOLERANCE: .X±0.15 .XX±0.10 .XXX±0.05 UNIT : m/m SCALE 2:1

Finish: 1. PB wire Immersion Sn on terminal : Thickness:Sn plating,100,5 μm (200 μ inches) min,Base nickel 0.625 μm (25 μ inches) min.
2. CP wire Immersion Sn on terminal : Thickness:Sn plating,100,5 μm (200 μ inches) min.
3. Coplanarity deviation: 0.10 mm (0.004 inches)max.

REV	10
-----	----