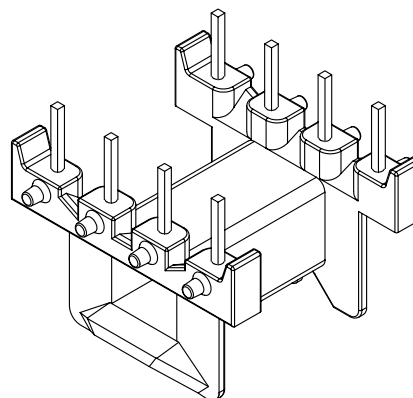
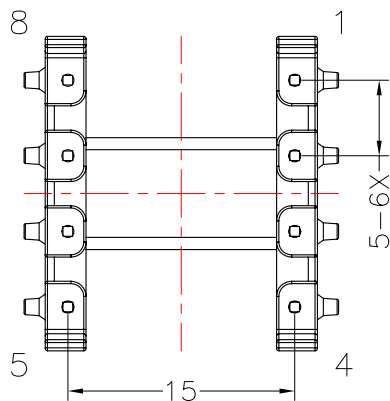
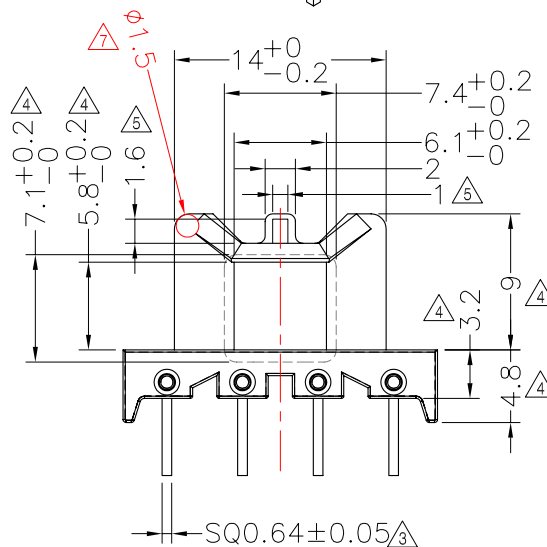
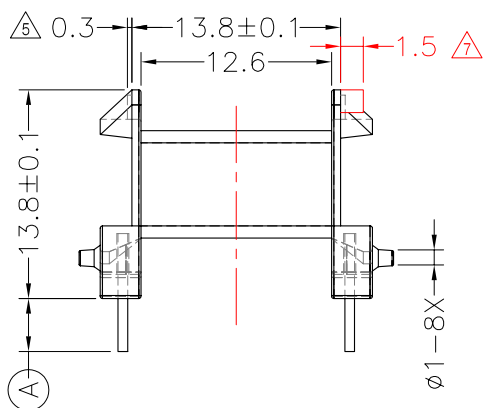
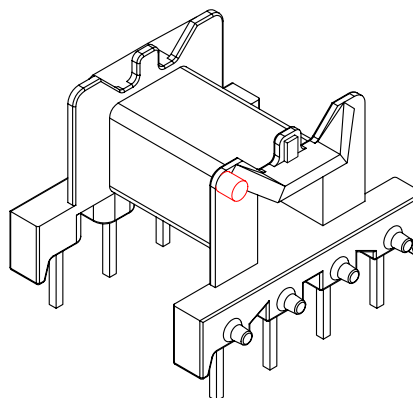
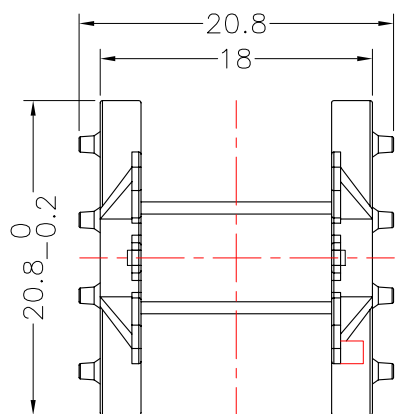


TBI TRANSFORMER BOBBIN INDUSTRIAL CO.,LTD.

Tel : 86-769-88789999 Fax : 86-769-88789989
 http:// tbi-tw.com e-mail : tb6688@ms46.hinet.net

REVISIONS				
REV	SYM	DRAFTER	CHECKER	DATE
△5		X.H.GU	W.H.HSU	11/10/07
△6		YAN.TANG	G.F.YANG	04/24/08
△7		X.H.GU	G.F.YANG	05/26/10



DWG NO. EF20-8P-TH-5.0-A1-1

PART NO.	MATERIAL (BOBBIN)	MATERIAL (TERMINAL)	TERMINAL (PLATING)	PIN ALLOCATION	NOTE
TBI-205-03111.106	PM-9820	CP WIRE	Sn	ALL PIN (A)=3.5+0/-0.7	
TBI-205-03111.116	PM-9820	CP WIRE	Sn	CUT PIN #2 (A)=3.5+0/-0.7	
△6 TBI-205-03111.126	PM-9820	CP WIRE	Sn	Cut Pin # 1,6,7 (A)=3.5+0/-0.7	
△6 TBI-205-03111.136	PM-9820	CP WIRE	Sn	Cut Pin # 6 (A)=3.5+0/-0.7	
△6 TBI-205-03111.146	PM-9820	CP WIRE	Sn	Cut Pin # 6 (A)=3.1±0.2	
△6 TBI-205-03111.156	PM-9820	CP WIRE	Sn	Cut Pin # 5 (A)=3.1±0.2	
△7 TBI-205-03111.166	PM-9820	CP WIRE	Sn	Cut Pin # 2,3,6,7 (A)=3.5+0/-0.7	52GEF208P5A4

TOLERANCE: .X±0.15 .XX±0.10 .XXX±0.05 UNIT : m / m SCALE 2 : 1

Finish: 1. PB wire Immersion Sn on terminal : Thickness:Sn plating,100,5 μm (200 μ inches) min,Base nickel 0.625 μm (25 μ inches) min.
 2. CP wire Immersion Sn on terminal : Thickness:Sn plating,100,5 μm (200 μ inches) min.
 3. Coplanarity deviation: 0.10 mm (0.004 inches) max.

REV 7