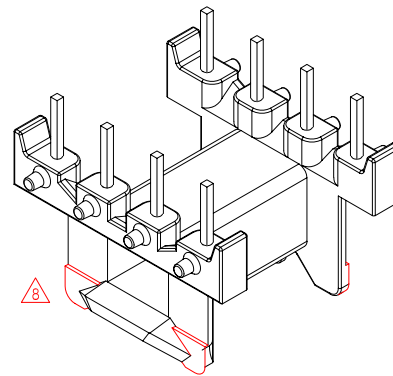
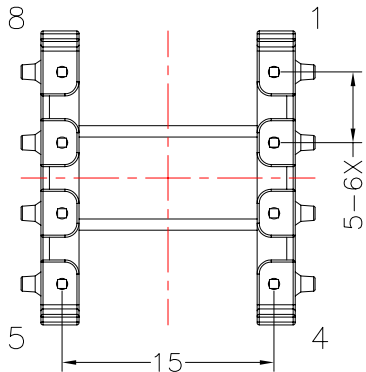
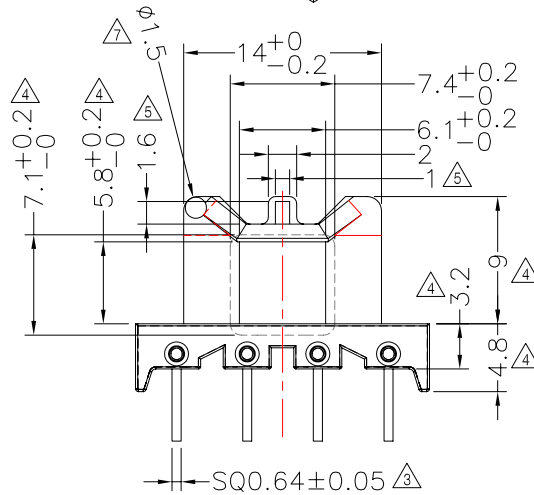
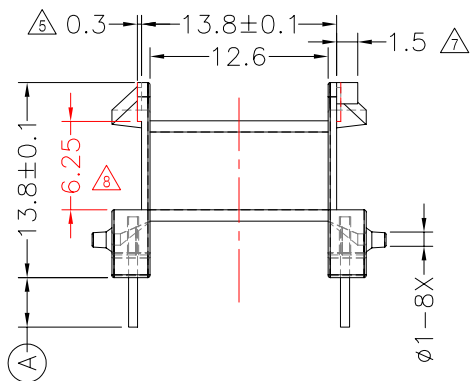
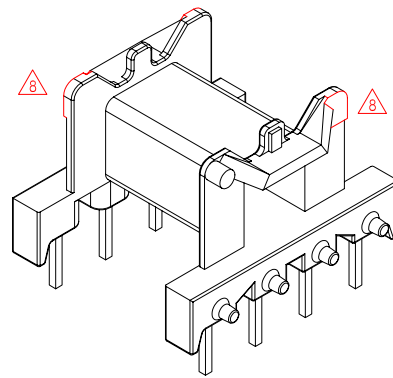
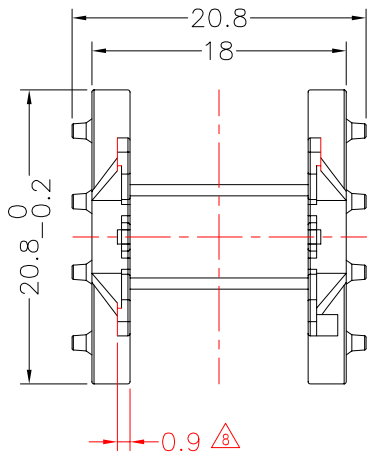




**TRANSFORMER BOBBIN
INDUSTRIAL CO.,LTD.**

Tel : 86-769-88789999 Fax : 86-769-88789989
http:// tbi-tw.com e-mail : tb6688@ms46.hinet.net

REVISIONS				
REV	SYM	DRAFTER	CHECKER	DATE
△6		YAN.TANG	G.F.YANG	04/24/08
△7		X.H.GU	G.F.YANG	05/26/10
△8		X.H.GU	G.F.YANG	10/19/10



DWG NO.	EF20-8P-TH-5.0-A1-12 △				
PART NO.	MATERIAL (BOBBIN)	MATERIAL (TERMINAL)	TERMINAL (PLATING)	PIN ALLOCATION	NOTE
TBI-205-03111.1206	PM-9820	CP WIRE	Sn	ALL PIN (A)=3.5+0/-0.7	S
TBI-205-03111.1216	PM-9820	CP WIRE	Sn	CUT PIN #2 (A)=3.5+0/-0.7	52GEF208P5A1 H
△6 TBI-205-03111.1226	PM-9820	CP WIRE	Sn	Cut Pin # 1,6,7 (A)=3.5+0/-0.7	
△6 TBI-205-03111.1236	PM-9820	CP WIRE	Sn	Cut Pin # 6 (A)=3.5+0/-0.7	
△6 TBI-205-03111.1246	PM-9820	CP WIRE	Sn	Cut Pin # 6 (A)=3.1±0.2	
△6 TBI-205-03111.1256	PM-9820	CP WIRE	Sn	Cut Pin # 5 (A)=3.1±0.2	52GEF208P5A3 F
△7 TBI-205-03111.1266	PM-9820	CP WIRE	Sn	Cut Pin # 2,3,6,7 (A)=3.5+0/-0.7	52GEF208P5A4
TBI-205-03111.1276	PM-9820	CP WIRE	Sn	ALL PIN (A)=3.5+0.5/-0	
TBI-205-03111.1286	PM-9820	CP WIRE	Sn	Cut Pin # 3,6,7 (A)=3.1±0.2	
TBI-205-03111.1296	PM-9820	CP WIRE	Sn	ALL PIN (A)=3.1±0.2	
TBI-205-03111.12A6	PM-9820	CP WIRE	Sn	CUT PIN#7 (A)=3.5±0.3	
TOLERANCE: .X±0.15 .XX±0.10 .XXX±0.05				UNIT : m / m	SCALE 2 : 1

Finish: 1. PB wire Immersion Sn on terminal : Thickness:Sn plating,100,5 μm (200 μ inches) min,Base nickel 0.625 μm (25 μ inches) min.
2. CP wire Immersion Sn on terminal : Thickness:Sn plating,100,5 μm (200 μ inches) min.
3. Coplanarity deviation: 0.10 mm (0.004 inches) max.

REV	8
-----	---