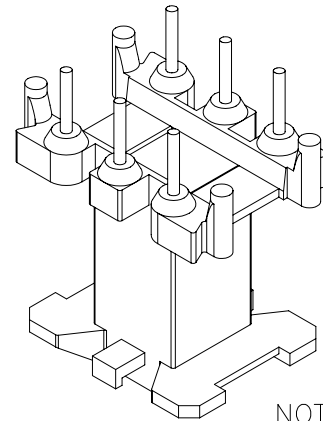
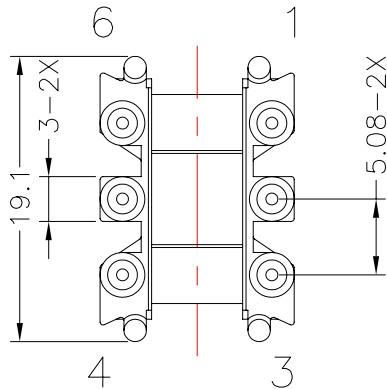
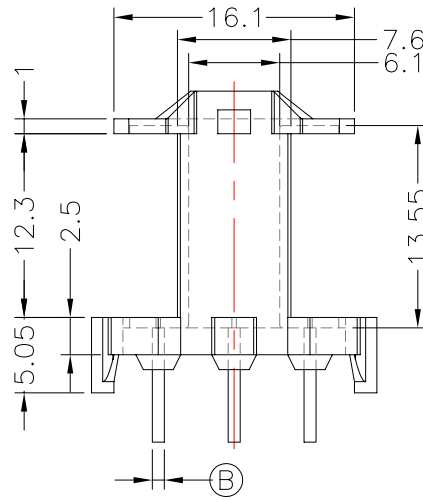
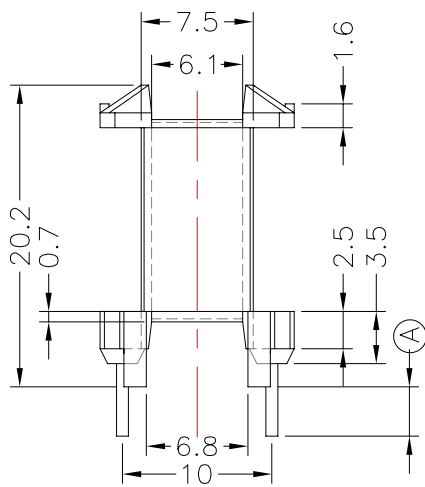
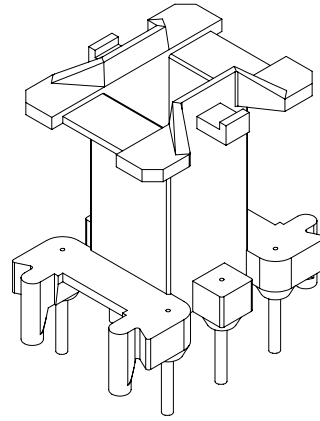
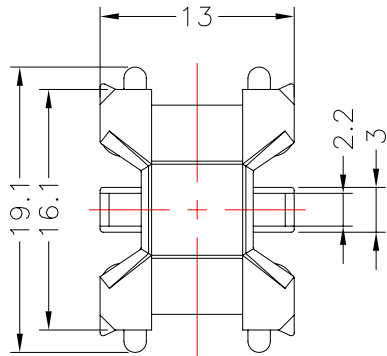




**TRANSFORMER BOBBIN
INDUSTRIAL CO.,LTD.**

Tel : 86-769-88789999 Fax : 86-769-88789989
 http:// tbi-tw.com e-mail : tb6688@ms46.hinet.net

REVISIONS				
REV	SYM	DRAFTER	CHECKER	DATE
①		YAN.TANG	G.F.YANG	08/27/09
②				
③				



NOTE: 拉力2.0kg MIN

DWG NO.	EF20-6P-TH-5.08-H-91				
PART NO.	MATERIAL (BOBBIN)	MATERIAL (TERMINAL)	TERMINAL (PLATING)	PIN ALLOCATION	NOTE
TBI-205-03081.9106	FR530 (NC)	CP WIRE	Sn	ALL PIN (A)=3.2±0.2(B)=SQ0.64	
TBI-205-03081.9116	FR530 (NC)	CP WIRE	Sn	CUT PIN #2 (A)=3.1±0.2(B)=SQ0.64	
TBI-205-03081.9126	FR530 (NC)	CP WIRE	Sn	CUT PIN #2,6 (A)=3.2±0.2(B)=SQ0.64	
TBI-205-03081.9136	FR530 (NC)	CP WIRE	Sn	CUT PIN #2,5 (A)=3.2±0.2(B)=SQ0.64	
TBI-205-03081.9146	FR530 (NC)	CP WIRE	Sn	CUT PIN #3,4,5 (A)=3.3 ±0.2(B)=Φ0.8	
TBI-205-03081.9156	FR530 (NC)	CP WIRE	Sn	CUT PIN #3,4,5 (A)=4.5 ±0.2(B)=Φ0.8	
TBI-205-03081.9166	FR530 (NC)	CP WIRE	Sn	CUT PIN #4,5 (A)=3.2±0.2(B)=SQ0.64	
	TOLERANCE: .X±0.15 .XX±0.10 .XXX±0.05			UNIT : m / m	SCALE 2 : 1

Finish: 1. PB wire Immersion Sn on terminal : Thickness:Sn plating,100,5 μm (200 μ inches) min,Base nickel 1-2 μm (40-80 μ inches) min.
 2. CP wire Immersion Sn on terminal : Thickness:Sn plating,100,5 μm (200 μ inches) min.
 3. Coplanarity deviation: 0.10 mm (0.004 inches)max.

REV	1
-----	---